

# dpt<sup>®</sup>



CFSP

**EXPORT CATALOG**  
**2024**



# Live well, it does good.

Original, bold and accessible design.

Dpt - Department Design - offers exclusive products and practical solutions for a much more complete day-to-day life.

#DesignForAll

Always willing to provide the best experiences, Dpt relies on minimalism and cutting-edge functional products, created by the company's own team of designers and in partnerships with national and international exponents.

The result are collections of extreme quality and full of personality. All this to fulfill the mission of promoting new perspectives for world-class design, making it accessible, diverse and without borders.

# Vivir bien, hace bien.

Design original, atrevido y accesible.

Dpt - Departament Design - ofrece productos exclusivos y soluciones prácticas para un día a día mucho más completo.

#DesignParaTodos

Siempre dispuesto a brindar las mejores experiencias, Dpt apuesta por el minimalismo y productos funcionales de vanguardia, creados por el equipo de diseñadores de la empresa y en alianza con exponentes nacionales e internacionales.

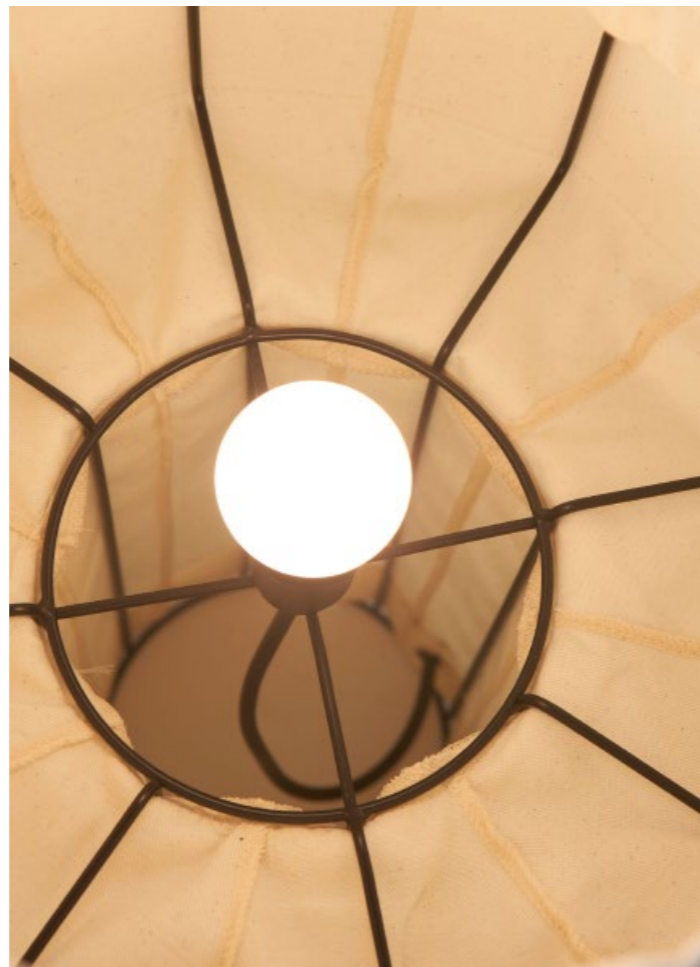
El resultado son colecciones de extrema calidad y llenas de personalidad. Todo esto para cumplir con la misión de promover nuevas perspectivas para el diseño de clase mundial, haciéndolo accesible, diverso y sin fronteras.



dpt  
001







**DPT001 LAMPS**

Aprox. Weight: 1,3Lb (Short) / 1,5Lb (Tall)

**SHADE:** Raw Cotton

**STRUCTURE:** Steel, Automotive Painting

**CABLE:** 6,5ft

**SOCKET:** E27 (Lightbulb not included)

**LÁMPARAS DPT001**

Peso Aprox.: 0,6kg (Baja) / 0,7kg (Alta)

**CÚPULA:** Algodón Crudo

**ESTRUCTURA:** Acero, Pintura Automotriz

**CABLE:** 2m

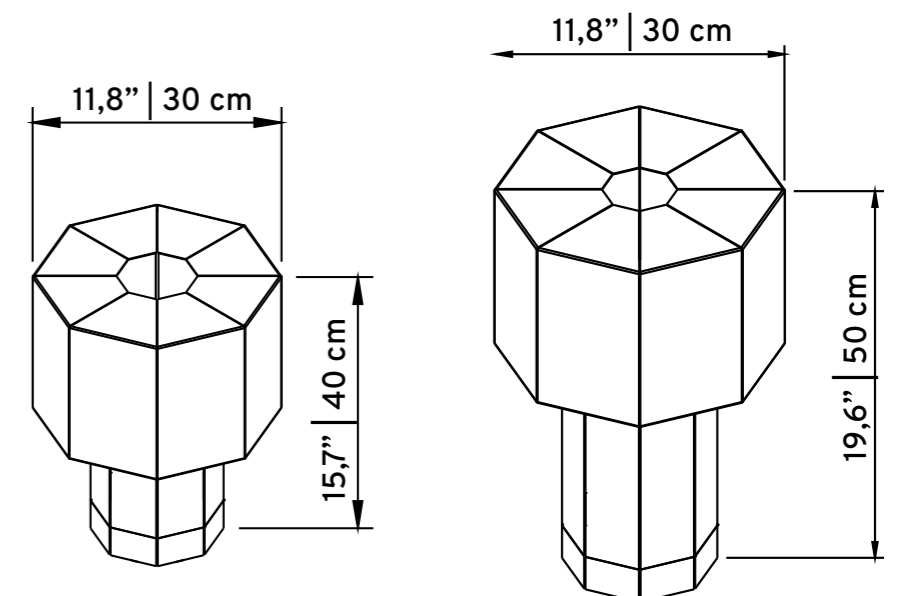
**ENCHIFE:** E27 (Bombilla no incluida)

**SHORT LAMP | LÁMPARA BAJA**

Ref. DD01LN01

**TALL LAMP | LÁMPARA ALTA**

Ref. DD01LN02





**DPT001**

**EXTRA SMALL LAMP**

Aprox. Weight: 0,7Lb

**SHADE:** Raw Cotton

**STRUCTURE:** Steel, Automotive Painting

**CABLE:** 6,5ft

**SOCKET:** E27 (Lightbulb not included)

**LÁMPARA PP**

Peso Aprox.: 0,3kg

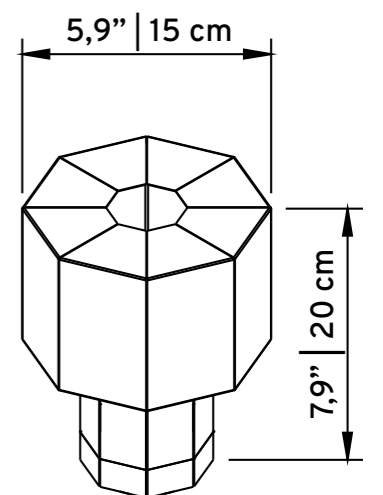
**CÚPULA:** Algodón Crudo

**ESTRUCTURA:** Acero, Pintura Automotriz

**CABLE:** 2m

**ENCHIFE:** E27 (Bombilla no incluida)

Ref. DD01LN07





**FLOOR LAMPS DPT001**

Aprox. Weight: 3,5Lb (Short) / 4,2Lb (Tall)

**SHADE:** Raw Cotton

**STRUCTURE:** Steel, Automotive Painting

**CABLE:** 16,4ft

**SOCKET:** E27 (Lightbulb not included)

**LÁMPARAS DE PISO DPT001**

Peso Aprox.: 1,6kg (Baja) / 1,9kg (Alta)

**CÚPULA:** Algodón Crudo

**ESTRUCTURA:** Acero, Pintura Automotriz

**CABLE:** 5m

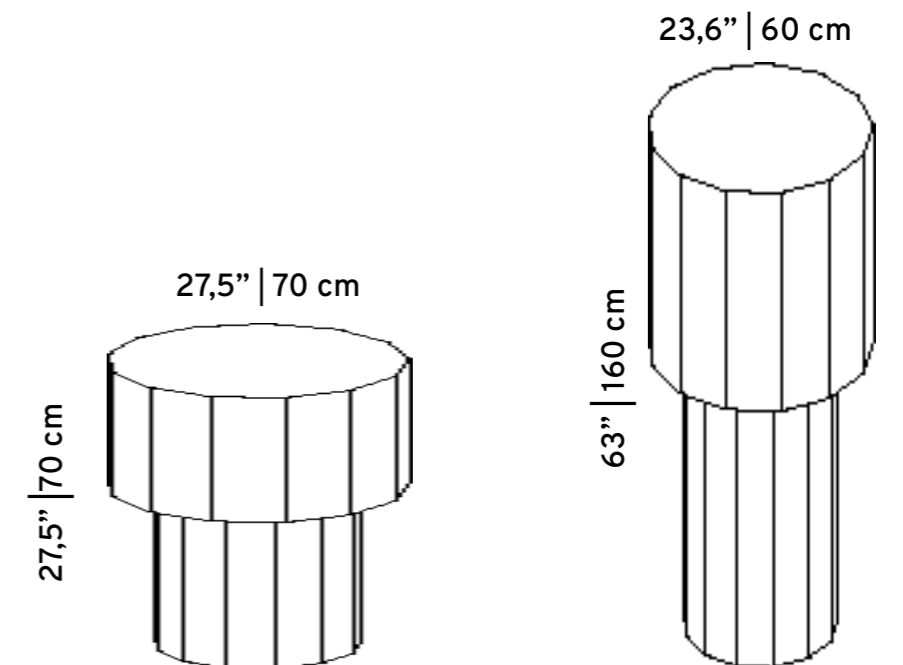
**ENCHIFE:** E27 (Bombilla no incluida)

**SHORT FLOOR LAMP | LÁMPARA DE PISO BAJA**

Ref. DD01LN03

**TALL FLOOR LAMP | LÁMPARA DE PISO ALTA**

Ref. DD01LN04







dpt  
002





**DPT002 CENTREPIECES (PAIR)**

Aprox. Weight: 1,5Lb (S) / 3,5Lb (L)

Material: Wood

**DPT002 CENTROS DE MESA (PAR)**

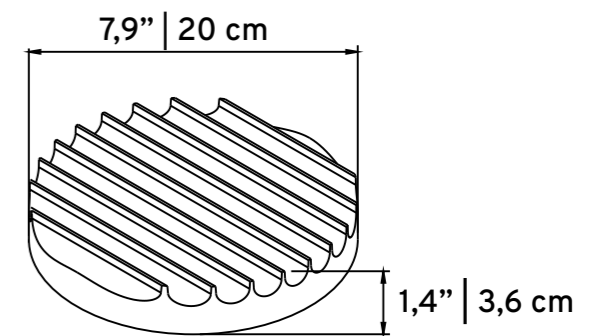
Peso Aprox.: 0,7kg (P) / 1,6kg (G)

Material: Madera

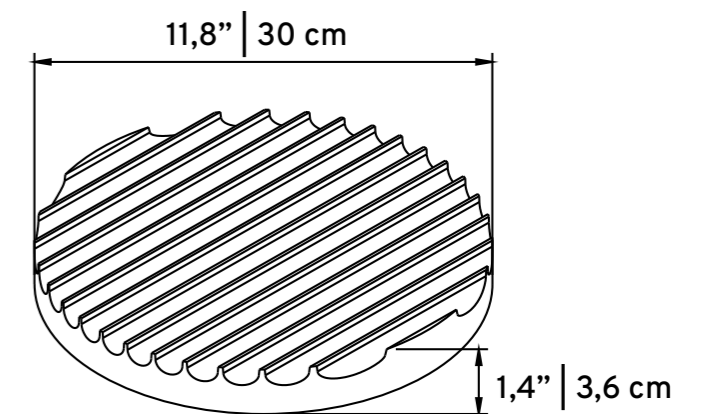
**NATURAL** / Ref. DD02MN01

**EBONIZED | EBONIZADO** / Ref. DD02MP01

**OFF-WHITE** / Ref. DD02MB01



**SMALL CENTREPIECE | CENTRO P**



**LARGE CENTREPIECE | CENTRO G**



**DPT002 SOAP HOLDERS**

Aprox. Weight: 3,3Lb (set)  
Material: Wood

**DPT002 JABONERAS**

Peso Aprox.: 1,5kg (el conjunto)  
Material: Madera

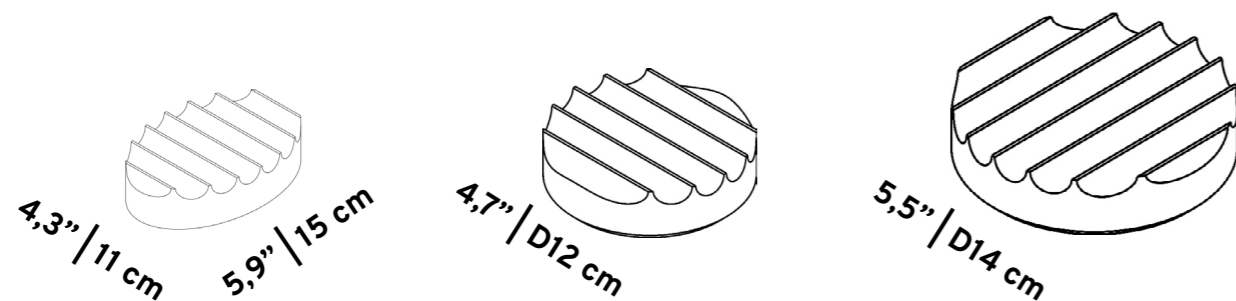
**S & L CIRCULAR SOAPHOLDER (PAIR) | JABONERA CIRCULAR P E G (PAR)**

**NATURAL** / Ref. DD02DN01  
**EBONIZED | EBONIZADO** / Ref. DD02DP01

**OVAL SOAPHOLDER (2 UNITS) | JABONERA OVAL (2 UNIDADES)**

**NATURAL** / Ref. DD02DN02  
**EBONIZED | EBONIZADO** / Ref. DD02DP02

C





**DPT002**

**SMALL, MEDIUM & LARGE POTS**

Aprox. Weight: 5,5Lb (Set)

**LID:** Wood

**POT:** Aluminium, Automotive Painting

**MACETAS P, M E G**

Peso Aprox.: 2,5kg (el conjunto)

**TAPA:** Madera

**MACETA:** Aluminio, Pintura Automotriz

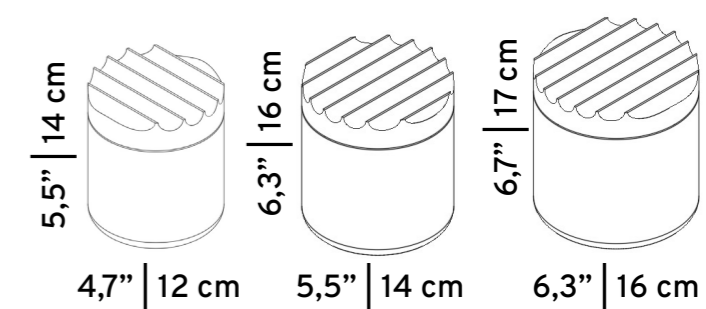
**OFF-WHITE POT, OFF-WHITE LID | MACETA OFF-WHITE, TAPA OFF-WHITE** / Ref. DD02PBB1

**MATTE BLACK POT, EBONIZED LID | MACETA NEGRO MATE, TAPA EBONIZADO** / Ref. DD02PPP1

**NUDE POT, NATURAL LID | MACETA DESNUDO, TAPA NATURAL** / Ref. DD02PGN1

**TERRACOTTA POT, NATURAL LID | MACETA TERRACOTA, TAPA NATURAL** / Ref. DD02PTN1

**MILITARY GREEN POT, NATURAL LID | MACETA VERDE MILITAR, TAPA NATURAL** / Ref. DD02PVN1





**DPT002 LAMPS**

Aprox. Weight: 5,5Lb

**SHADE:** Raw Cotton

**STRUCTURE:** Solid Wood

**CABLE:** 6,5ft

**SOCKET:** E27 (Lightbulb not included)

**LÁMPARAS DPT002**

Peso Aprox.: 2,5kg

**CÚPULA:** Algodón Crudo

**ESTRUCTURA:** Madera Maciza

**CABLE:** 2m

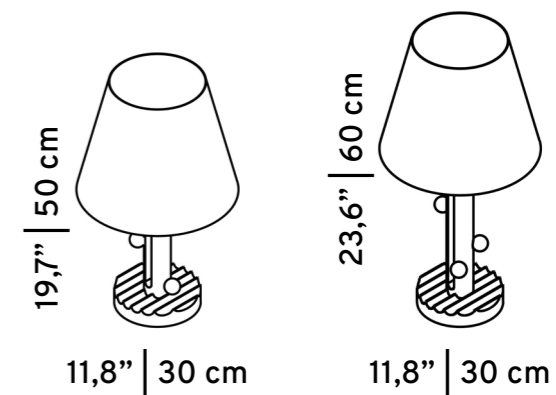
**ENCHIFE:** E27 (Bombilla no incluida)

**SHORT LAMP | LÁMPARA BAJA**

Ref. DD02LN01

**TALL LAMP | LÁMPARA ALTA**

Ref. DD02LN02





dpt  
003







**DPT003 CENTREPIECES (PAIR)**

Aprox. Weight: 1,5Lb (S) / 3,5Lb (L)

Material: Wood

**DPT003 CENTROS DE MESA (PAR)**

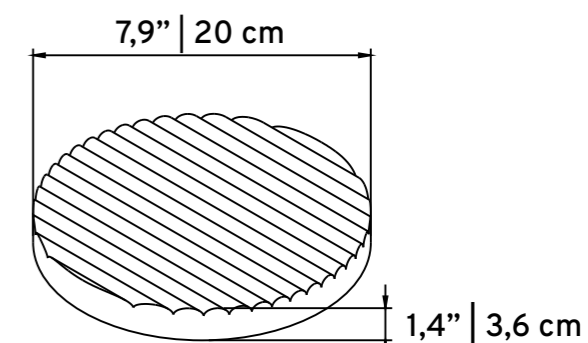
Peso Aprox.: 0,7kg (P) / 1,6kg (G)

Material: Madera

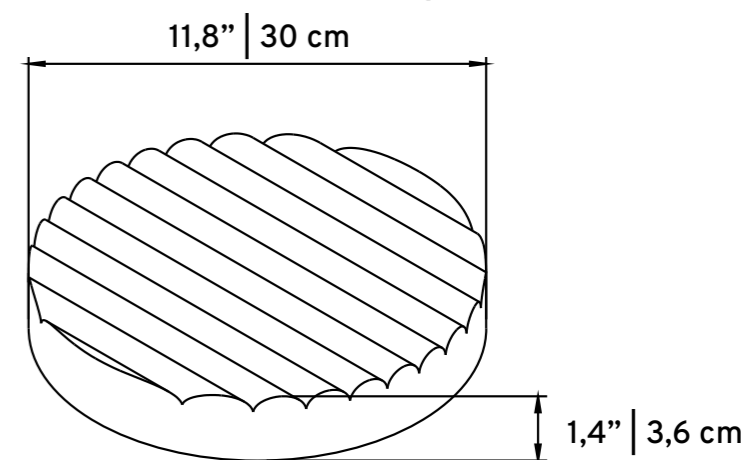
**NATURAL** / Ref. DD03MN01

**EBONIZED | EBONIZADO** / Ref. DD03MP01

**OFF WHITE** / Ref. DD03MB01



**SMALL CENTREPIECE | CENTRO P**



**LARGE CENTREPIECE | CENTRO G**



**DPT003 SOAP HOLDERS**

Aprox. Weight: 5,5Lb (set)  
Material: Wood

**DPT003 JABONERAS**

Peso Aprox.: 2,5kg (el conjunto)  
Material: Madera

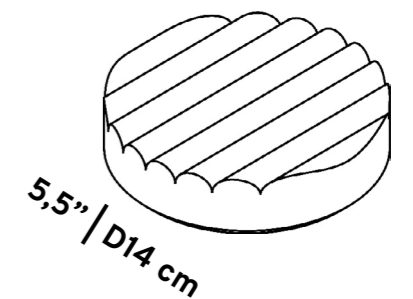
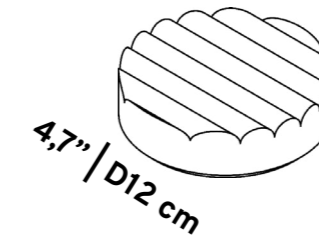
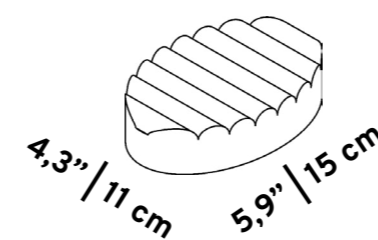
**S & L CIRCULAR SOAPHOLDER (PAIR) | JABONERA CIRCULAR P E G (PAR)**

**NATURAL** / Ref. DD03DN01  
**EBONIZED | EBONIZADO** / Ref. DD03DP01

**OVAL SOAPHOLDER (2 UNITS) | JABONERA OVAL (2 UNIDADES)**

**NATURAL** / Ref. DD03DN02  
**EBONIZED | EBONIZADO** / Ref. DD03DP02

\*Soap not included. | Jabón no incluido.





**DPT003**

**SMALL, MEDIUM & LARGE POTS**

Aprox. Weight: 5,5Lb (Set)

**LID:** Wood

**POT:** Aluminium, Automotive Painting

**MACETAS P, M E G**

Peso Aprox.: 2,5kg (el conjunto)

**TAPA:** Madera

**MACETA:** Aluminio, Pintura Automotriz

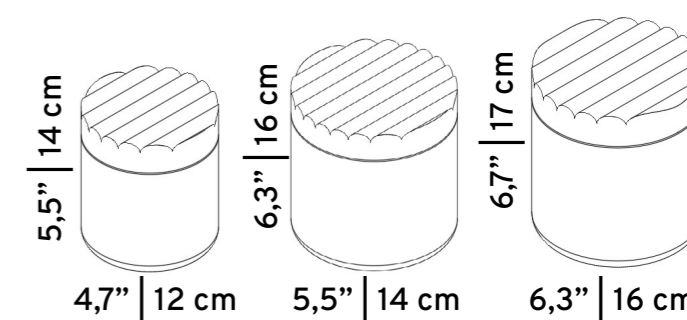
**OFF-WHITE POT, OFF-WHITE LID | MACETA OFF-WHITE, TAPA OFF-WHITE** / Ref. DD03PBB1

**MATTE BLACK POT, EBONIZED LID | MACETA NEGRO MATE, TAPA EBONIZADO** / Ref. DD03PPP1

**NUDE POT, NATURAL LID | MACETA DESNUDO, TAPA NATURAL** / Ref. DD03PGN1

**TERRACOTTA POT, NATURAL LID | MACETA TERRACOTA, TAPA NATURAL** / Ref. DD03PTN1

**MILITARY GREEN POT, NATURAL LID | MACETA VERDE MILITAR, TAPA NATURAL** / Ref. DD03PVN1





**DPT003 LAMPS**

Aprox. Weight: 5,5Lb

**SHADE:** Raw Cotton

**STRUCTURE:** Solid Wood

**CABLE:** 6,5ft

**SOCKET:** E27 (Lightbulb not included)

**LÁMPARAS DPT003**

Peso Aprox.: 2,5kg

**CÚPULA:** Algodón Crudo

**ESTRUCTURA:** Madera Maciza

**CABLE:** 2m

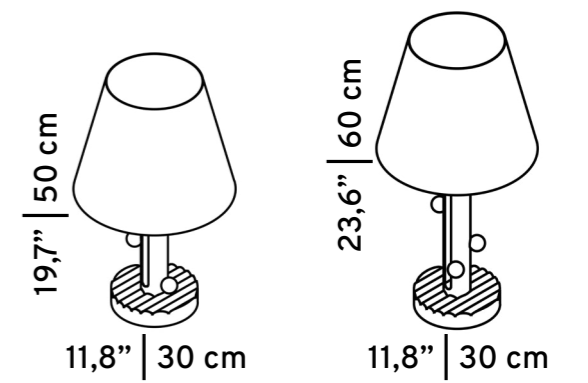
**ENCHIFE:** E27 (Bombilla no incluida)

**SHORT LAMP | LÁMPARA BAJA**

Ref. DD03LN01

**TALL LAMP | LÁMPARA ALTA**

Ref. DD03LN02



dpt  
004







**DPT004 POTS**

Aprox. Weight: 8,8Lb

LID: Wood  
POT: Concrete

**MACETAS DPT004**

Peso Aprox.: 4kg

TAPA: Madera  
MACETA: Hormigón

**POT N1 | MACETA N1**

GREY CONCRETE, NATURAL WOOD | HORMIGÓN GRIS, MADERA NATURAL / Ref. DD04PN01  
 GREY CONCRETE, OFF-WHITE WOOD | HORMIGÓN GRIS, MADERA OFF-WHITE / Ref. DD04PNB1  
 OFF-WHITE CONCRETE, OFF-WHITE WOOD | HORMIGÓN OFF-WHITE, MADERA OFF-WHITE / Ref. DD04PBB1  
 OFF-WHITE CONCRETE, NATURAL WOOD | HORMIGÓN OFF-WHITE, MADERA NATURAL / Ref. DD04PBN1  
 BLACK CONCRETE, EBONIZED WOOD | HORMIGÓN NEGRO, MADERA EBONIZADA / Ref. DD04PPP1

**POT N2 | MACETA N2**

GREY CONCRETE, NATURAL WOOD | HORMIGÓN GRIS, MADERA NATURAL / Ref. DD04PN02  
 GREY CONCRETE, OFF-WHITE WOOD | HORMIGÓN GRIS, MADERA OFF-WHITE / Ref. DD04PNB2  
 OFF-WHITE CONCRETE, OFF-WHITE WOOD | HORMIGÓN OFF-WHITE, MADERA OFF-WHITE / Ref. DD04PBB2  
 OFF-WHITE CONCRETE, NATURAL WOOD | HORMIGÓN OFF-WHITE, MADERA NATURAL / Ref. DD04PBN2  
 BLACK CONCRETE, EBONIZED WOOD | HORMIGÓN NEGRO, MADERA EBONIZADA / Ref. DD04PPP2

**POT N3 | MACETA N3**

GREY CONCRETE, NATURAL WOOD | HORMIGÓN GRIS, MADERA NATURAL / Ref. DD04PN03  
 GREY CONCRETE, OFF-WHITE WOOD | HORMIGÓN GRIS, MADERA OFF-WHITE / Ref. DD04PNB3  
 OFF-WHITE CONCRETE, OFF-WHITE WOOD | HORMIGÓN OFF-WHITE, MADERA OFF-WHITE / Ref. DD04PBB3  
 OFF-WHITE CONCRETE, NATURAL WOOD | HORMIGÓN OFF-WHITE, MADERA NATURAL / Ref. DD04PBN3  
 BLACK CONCRETE, EBONIZED WOOD | HORMIGÓN NEGRO, MADERA EBONIZADA / Ref. DD04PPP3

**POT N4 | MACETA N4**

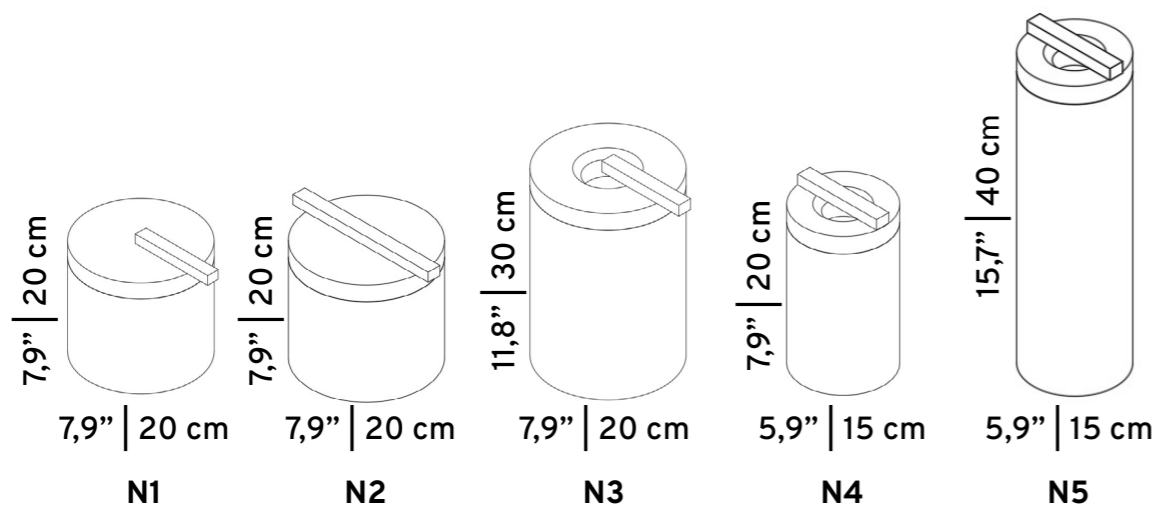
GREY CONCRETE, NATURAL WOOD | HORMIGÓN GRIS, MADERA NATURAL / Ref. DD04PN04  
 GREY CONCRETE, OFF-WHITE WOOD | HORMIGÓN GRIS, MADERA OFF-WHITE / Ref. DD04PNB4  
 OFF-WHITE CONCRETE, OFF-WHITE WOOD | HORMIGÓN OFF-WHITE, MADERA OFF-WHITE / Ref. DD04PBB4  
 OFF-WHITE CONCRETE, NATURAL WOOD | HORMIGÓN OFF-WHITE, MADERA NATURAL / Ref. DD04PBN4  
 BLACK CONCRETE, EBONIZED WOOD | HORMIGÓN NEGRO, MADERA EBONIZADA / Ref. DD04PPP4

**POT N5 | MACETA N5**

GREY CONCRETE, NATURAL WOOD | HORMIGÓN GRIS, MADERA NATURAL / Ref. DD04PN05  
 GREY CONCRETE, OFF-WHITE WOOD | HORMIGÓN GRIS, MADERA OFF-WHITE / Ref. DD04PNB5  
 OFF-WHITE CONCRETE, OFF-WHITE WOOD | HORMIGÓN OFF-WHITE, MADERA OFF-WHITE / Ref. DD04PBB5  
 OFF-WHITE CONCRETE, NATURAL WOOD | HORMIGÓN OFF-WHITE, MADERA NATURAL / Ref. DD04PBN5  
 BLACK CONCRETE, EBONIZED WOOD | HORMIGÓN NEGRO, MADERA EBONIZADA / Ref. DD04PPP5

The concrete may suffer changes to texture and tone, small imperfections are characteristic of the material and do not constitute damage to the product.

El hormigón puede sufrir cambios de textura y tono, las pequeñas imperfecciones son características del material y no constituyen daño al producto.



dpt  
005







**DPT005 SMALL, MEDIUM & LARGE VASE SET**

Aprox. Weight: 1,7Lb (S) / 2,2Lb (M) / 2,8Lb (L)

**BASE:** Wood

**ACCESSORY:** Aluminium, Automotive Painting

**NATURAL WOOD, TERRACOTTA ACCESSORY** / Ref. DD05VN01  
**TERRACOTTA WOOD, OFF-WHITE ACCESSORY** / Ref. DD05VP01  
**OFF-WHITE WOOD, OFF-WHITE ACCESSORY** / Ref. DD05VB01  
**EBONIZED WOOD, BLACK ACCESSORY** / Ref. DD05VP01

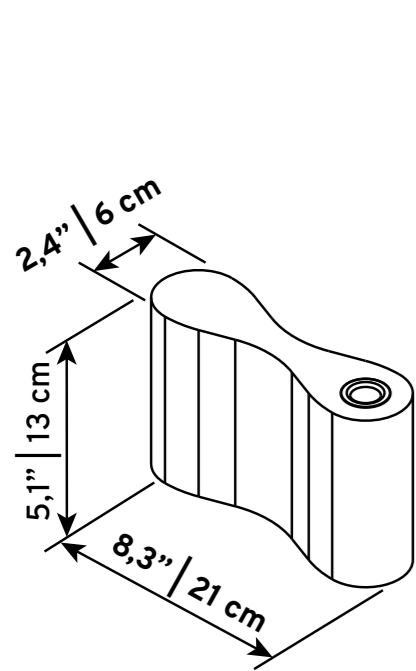
**CONJUNTO JÁRRONS P, M, G DPT005**

Peso Aprox.: 0,8kg (P) / 1,0kg (M) / 1,3kg (G)

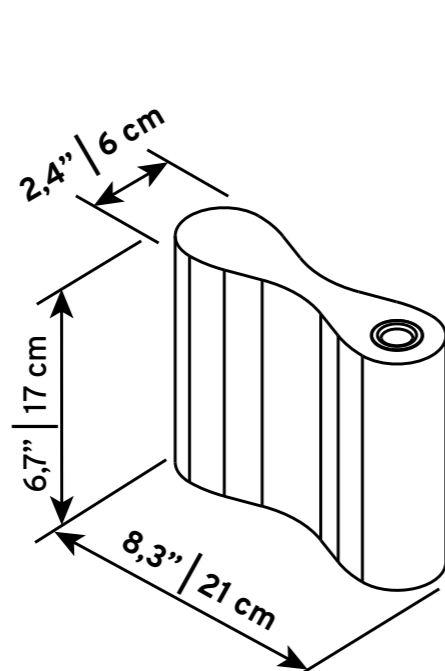
**BASE:** Madera

**ACCESORIO:** Aluminio, Pintura Automotriz

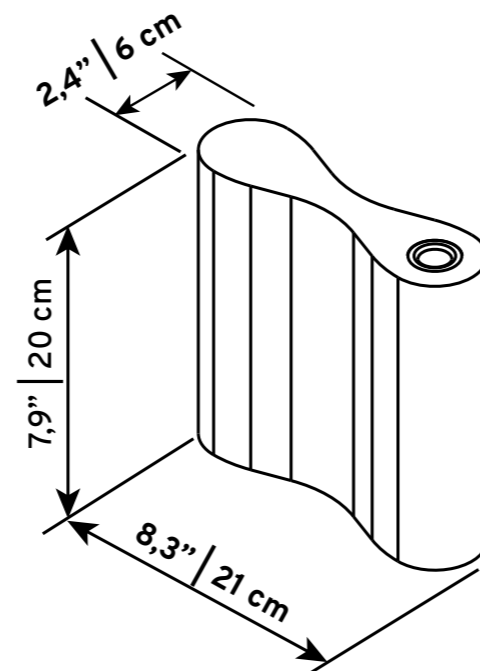
**MADERA NATURAL, ACCESORIO TERRACOTA** / Ref. DD05VN01  
**MADERA TERRACOTA, ACCESORIO OFF-WHITE** / Ref. DD05VP01  
**MADERA OFF-WHITE, ACCESORIO OFF-WHITE** / Ref. DD05VB01  
**MADERA EBONIZADA, ACCESORIO NEGRO** / Ref. DD05VP01



**S VASE | JARRÓN P**



**M VASE | JARRÓN M**



**L VASE | JARRÓN G**





**DPT005 SMALL, MEDIUM & LARGE CANDLEHOLDER SET**

Aprox. Weight: 0,9Lb (S) / 1,3Lb (M) / 1,5Lb (L)

**BASE:** Wood

**ACCESSORY:** Aluminium, Automotive Painting

**NATURAL WOOD, TERRACOTTA ACCESSORY** / Ref. DD05CN01

**TERRACOTTA WOOD, OFF-WHITE ACCESSORY** / Ref. DD05CP01

**OFF-WHITE WOOD, OFF-WHITE ACCESSORY** / Ref. DD05CB01

**EBONIZED WOOD, BLACK ACCESSORY** / Ref. DD05CP01

**CONJUNTO PORTAVELAS P, M, G DPT005**

Peso Aprox.: 0,4kg (P) / 0,6kg (M) / 0,7kg (G)

**BASE:** Madera

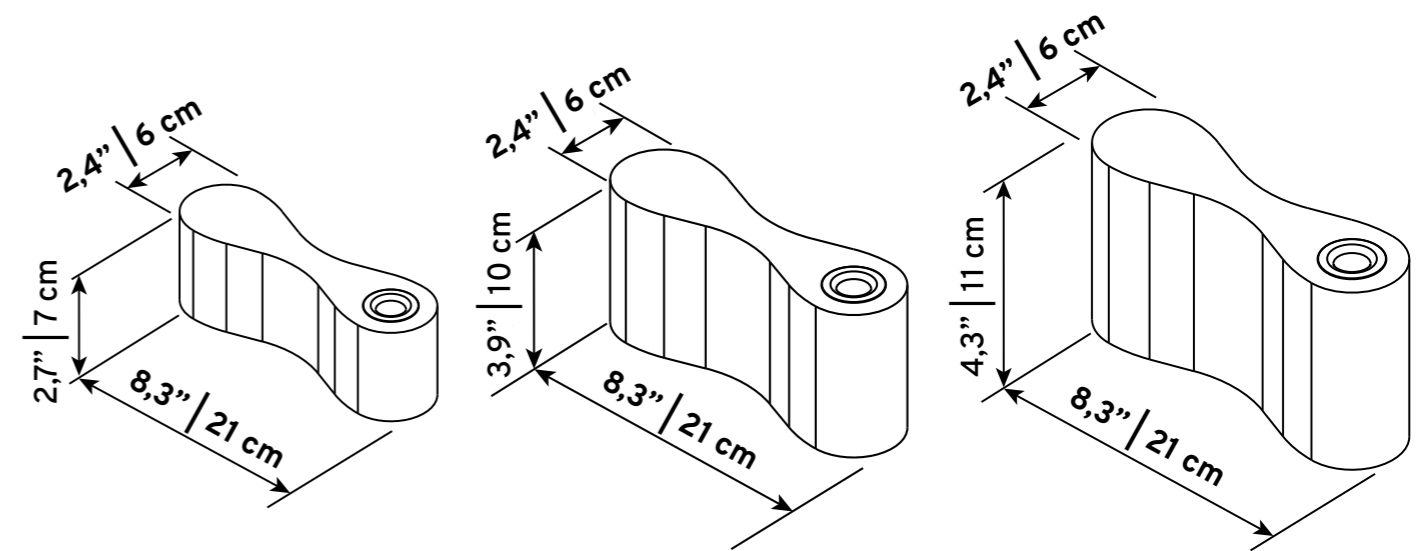
**ACCESORIO:** Aluminio, Pintura Automotriz

**MADERA NATURAL, ACCESORIO TERRACOTA** / Ref. DD05CN01

**MADERA TERRACOTA, ACCESORIO OFF-WHITE** / Ref. DD05CP01

**MADERA OFF-WHITE, ACCESORIO OFF-WHITE** / Ref. DD05CB01

**MADERA EBONIZADA, ACCESORIO NEGRO** / Ref. DD05CP01



**SMALL | PEQUEÑO**

**MEDIUM | MEDIANO**

**LARGE | GRANDE**



dpt  
006

**DPT006**

**LAMP**

Aprox. Weight: 3,3Lb

**MDF:** American Oak

**STRUCTURE:** Steel, Automotive Painting

**CABLE:** 6,5ft

**SOCKET:** E27 (Lightbulb not included)

**LÁMPARA**

Peso Aprox.: 1,5kg

**MDF:** Roble Americano

**ESTRUCTURA:** Acero, Pintura Automotriz

**CABLE:** 2m

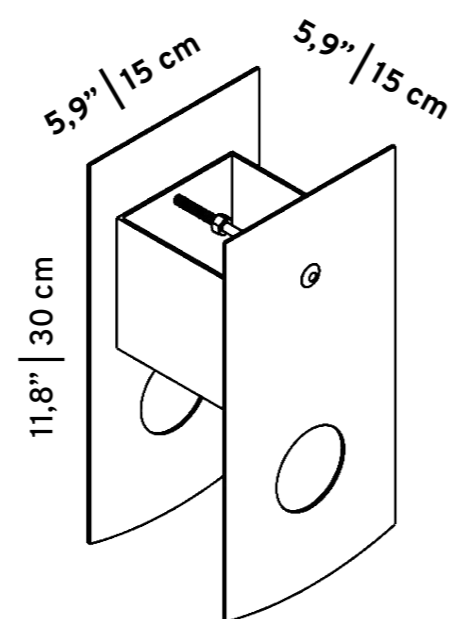
**ENCHIFE:** E27 (Bombilla no incluida)

**NATURAL** / Ref. DD06LNP1

**EBONIZED | EBONIZADO** / Ref. DD06LPP1

**MILITARY GREEN | VERDE MILITAR** / Ref. DD06LW1

**OFF-WHITE** / Ref. DD06LBB1



dpt  
007





**DPT007 CENTREPIECES**

Aprox. Weight: 9,9Lb (S) / 12,1Lb (L)

**MDF:** American Oak

**BASE:** Steel, Automotive Painting

**CENTROS DE MESA DPT007**

Peso Aprox.: 4,5kg (P) / 5,5kg (G)

**MDF:** Roble Americano

**BASE:** Acero, Pintura Automotriz

**SMALL CENTREPIECE | CENTRO P**

**OFF-WHITE, CARVALHO NATURAL** / Ref. DD07MBN1

**NUDE, CARVALHO NATURAL** / Ref. DD07MGN1

**PRETO FOSCO, CARVALHO NATURAL** / Ref. DD07MPN1

**PRETO FOSCO, CARVALHO EBANIZADO** / Ref. DD07MPP1

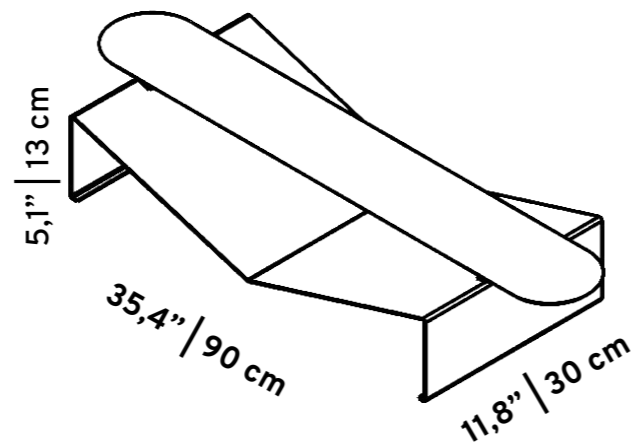
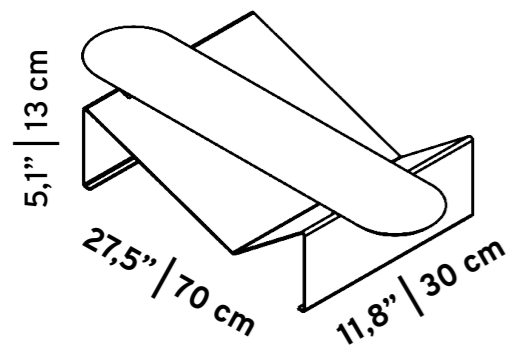
**LARGE CENTREPIECE | CENTRO G**

**OFF-WHITE, CARVALHO NATURAL** / Ref. DD07MBN2

**NUDE, CARVALHO NATURAL** / Ref. DD07MGN2

**PRETO FOSCO, CARVALHO NATURAL** / Ref. DD07MPN2

**PRETO FOSCO, CARVALHO EBANIZADO** / Ref. DD07MPP2





dpt  
008







**DPT008 N1 VASES**

Aprox. Weight: 2,2Lb (Short) / 2,6Lb (Medium) / 2,9Lb (Tall)

**BASE:** Angelim Wood

**ACCESSORY:** Steel, Automotive Painting

**JARRÓNS N1 DPT008**

Peso Aprox.: 1kg (Bajo) / 1,2kg (Mediano) / 1,3kg (Alto)

**BASE:** Madera Angelim

**ACCESORIO:** Acero, Pintura Automotriz

**SHORT N1 VASE | JARRÓN N1 BAJO**

NATURAL WOOD, NUDE | MADERA NATURAL, DESNUDO / Ref. DD08VNG1

TERRACOTTA WOOD, OFF-WHITE | MADERA TERRACOTA, OFF-WHITE / Ref. DD08VTB1

OFF-WHITE WOOD, OFF-WHITE | MADERA OFF-WHITE, OFF-WHITE / Ref. DD08VBB1

EBONIZED WOOD, MATTE BLACK | MADERA EBONIZADA, NEGRO MATE / Ref. DD08VPP1

**MEDIUM N1 VASE | JARRÓN N1 MEDIANO**

NATURAL WOOD, NUDE | MADERA NATURAL, DESNUDO / Ref. DD08VNG2

TERRACOTTA WOOD, OFF-WHITE | MADERA TERRACOTA, OFF-WHITE / Ref. DD08VTB2

OFF-WHITE WOOD, OFF-WHITE | MADERA OFF-WHITE, OFF-WHITE / Ref. DD08VBB2

EBONIZED WOOD, MATTE BLACK | MADERA EBONIZADA, NEGRO MATE / Ref. DD08VPP2

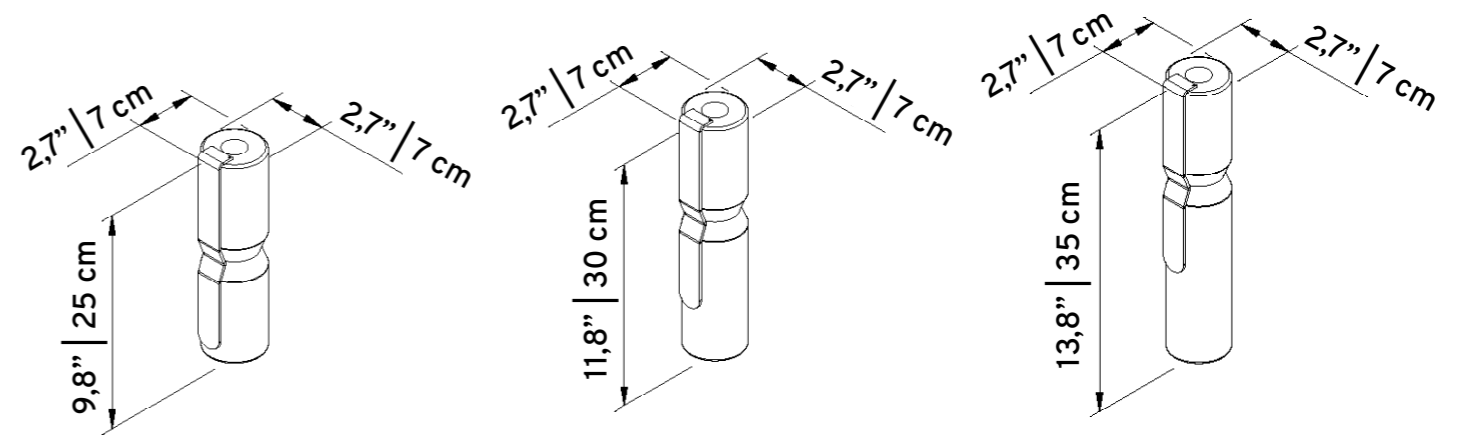
**TALL N1 VASE | JARRÓN N1 ALTO**

NATURAL WOOD, NUDE | MADERA NATURAL, DESNUDO / Ref. DD08VNG3

TERRACOTTA WOOD, OFF-WHITE | MADERA TERRACOTA, OFF-WHITE / Ref. DD08VTB3

OFF-WHITE WOOD, OFF-WHITE | MADERA OFF-WHITE, OFF-WHITE / Ref. DD08VBB3

EBONIZED WOOD, MATTE BLACK | MADERA EBONIZADA, NEGRO MATE / Ref. DD08VPP3



**SHORT | BAJO**

**MEDIUM | MEDIANO**

**TALL | ALTO**



**DPT008 N2 VASES**

Aprox. Weight: 2,2Lb (Short) / 2,6Lb (Medium) / 2,9Lb (Tall)

**BASE:** Angelim Wood

**ACCESSORY:** Steel, Automotive Painting

**JARRÓNS N2 DPT008**

Peso Aprox.: 1kg (Bajo) / 1,2kg (Mediano) / 1,3kg (Alto)

**BASE:** Madera Angelim

**ACCESORIO:** Acero, Pintura Automotriz

**SHORT N2 VASE | JARRÓN N2 BAJO**

NATURAL WOOD, NUDE | MADERA NATURAL, DESNUDO / Ref. DD08VNG4

TERRACOTTA WOOD, OFF-WHITE | MADERA TERRACOTA, OFF-WHITE / Ref. DD08VTB4

OFF-WHITE WOOD, OFF-WHITE | MADERA OFF-WHITE, OFF-WHITE / Ref. DD08VBB4

EBONIZED WOOD, MATTE BLACK | MADERA EBONIZADA, NEGRO MATE / Ref. DD08VPP4

**MEDIUM N2 VASE | JARRÓN N2 MEDIANO**

NATURAL WOOD, NUDE | MADERA NATURAL, DESNUDO / Ref. DD08VNG5

TERRACOTTA WOOD, OFF-WHITE | MADERA TERRACOTA, OFF-WHITE / Ref. DD08VTB5

OFF-WHITE WOOD, OFF-WHITE | MADERA OFF-WHITE, OFF-WHITE / Ref. DD08VBB5

EBONIZED WOOD, MATTE BLACK | MADERA EBONIZADA, NEGRO MATE / Ref. DD08VPP5

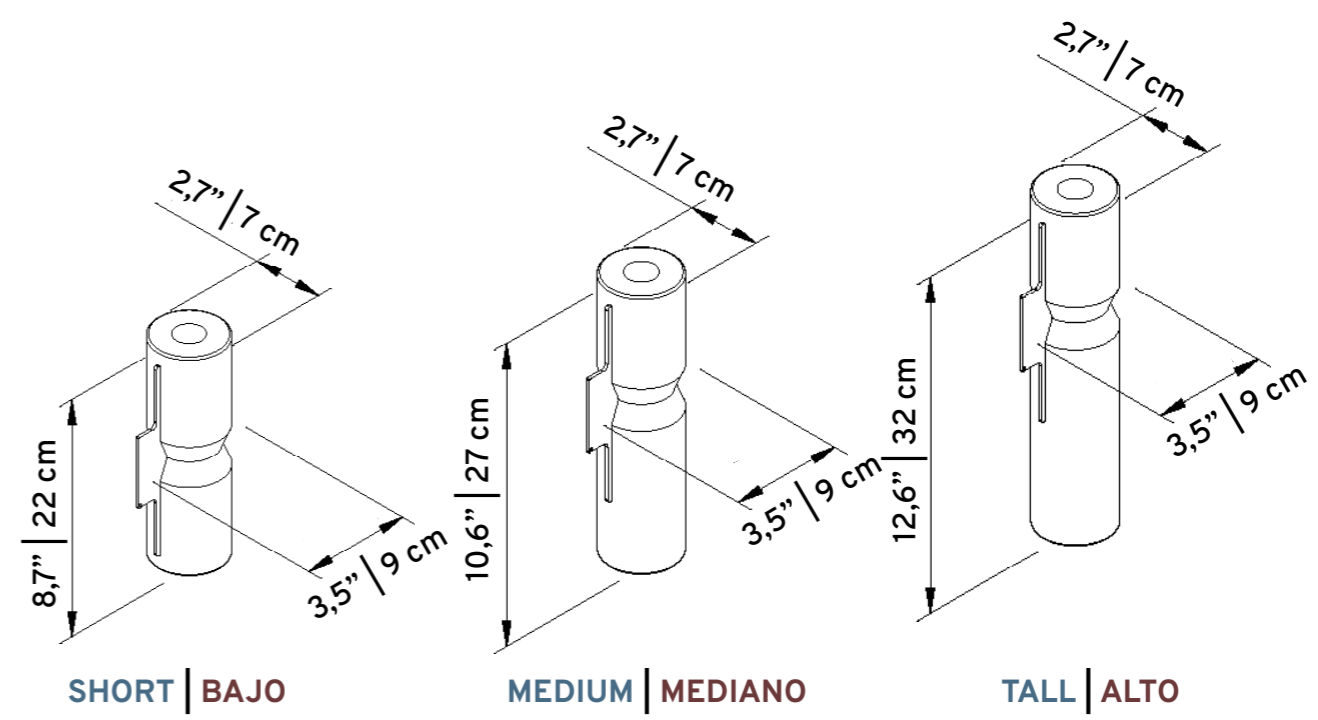
**TALL N2 VASE | JARRÓN N2 ALTO**

NATURAL WOOD, NUDE | MADERA NATURAL, DESNUDO / Ref. DD08VNG6

TERRACOTTA WOOD, OFF-WHITE | MADERA TERRACOTA, OFF-WHITE / Ref. DD08VTB6

OFF-WHITE WOOD, OFF-WHITE | MADERA OFF-WHITE, OFF-WHITE / Ref. DD08VBB6

EBONIZED WOOD, MATTE BLACK | MADERA EBONIZADA, NEGRO MATE / Ref. DD08VPP6





dpt  
009



**DPT009 LAMP**

Aprox. Weight: 3,3Lb (Short) / 5,3Lb (Tall)

**SHADE:** Raw Cotton

**STRUCTURE:** Steel, Automotive Painting / Wood

**CABLE:** 6,5ft

**SOCKET:** E27 (Lightbulb not included)

**LÁMPARA DPT009**

Peso Aprox.: 1,5kg (Baja) / 2,4kg (Alta)

**CÚPULA:** Algodón Crudo

**ESTRUCTURA:** Acero, Pintura Automotriz / Madera

**CABLE:** 2m

**ENCHIFE:** E27 (Bombilla no incluida)

**SHORT LAMP | LÁMPARA BAJA**

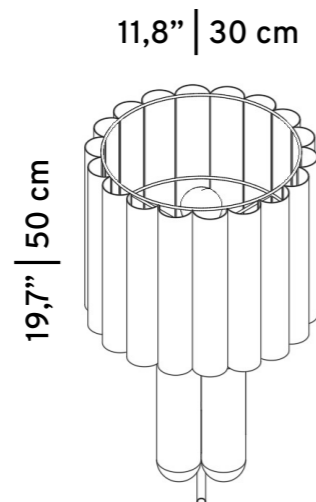
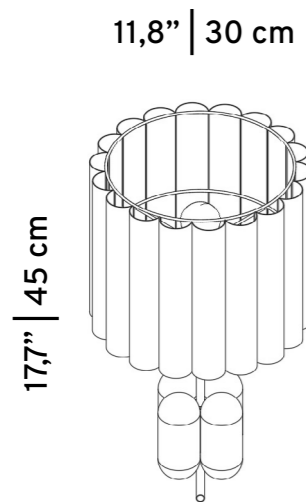
**NATURAL** / Ref. DD09LN01

**EBONIZED | EBONIZADA** / Ref. DD09LP01

**TALL LAMP | LÁMPARA ALTA**

**NATURAL** / Ref. DD09LN02

**EBONIZED | EBONIZADA** / Ref. DD09LP02



**DPT009**

Aprox. Weight: 14,1Lb

**SHADE:** Raw Cotton

**STRUCTURE:** Steel, Automotive Painting / Wood

**CABLE:** 6,5ft

**SOCKET:** E27 (Lightbulb not included)

**DPT009**

Peso Aprox.: 6,4kg

**CÚPULA:** Algodón Crudo

**STRUCTURE:** Acero, Pintura Automotriz / Madera

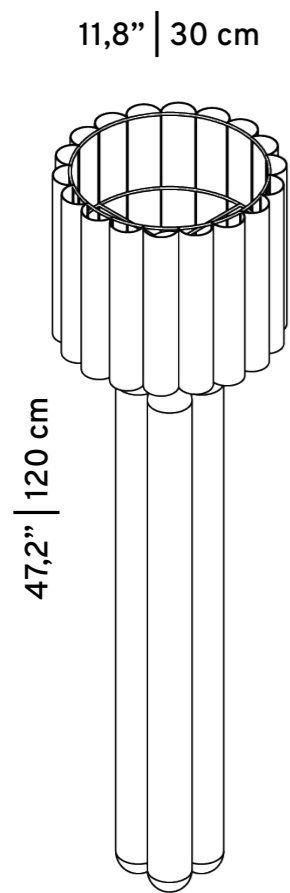
**CABLE:** 2m

**ENCHIFE:** E27 (Bombilla no incluida)

**FLOOR LAMP | LÁMPARA DE PISO**

**NATURAL** / Ref. DD09LN03

**EBONIZED | EBONIZADA** / Ref. DD09LP03







dpt  
010

**DPT010**

**N1 POT**

Aprox. Weight: 2,2Lb

Materials: Wood / Aluminium / Steel

**OFF-WHITE, NATURAL WOOD** / Ref. DD10PBN1

**NUDE, NATURAL WOOD** / Ref. DD10PGN1

**BLACK, NATURAL WOOD** / Ref. DD10PPN1

**BLACK, EBONIZED WOOD** / Ref. DD10PPP1

**MILITARY GREEN, NATURAL WOOD** / Ref. DD10PVN1

**TERRACOTTA, NATURAL WOOD** / Ref. DD10PTN1

**MACETA N1**

Peso Aprox.: 1kg

Materiales: Madera / Aluminio / Acero

**OFF-WHITE, MADERA NATURAL** / Ref. DD10PBN1

**DESNUDO, MADERA NATURAL** / Ref. DD10PGN1

**NEGRA, MADERA NATURAL** / Ref. DD10PPN1

**NEGRA, MADERA EBONIZADA** / Ref. DD10PPP1

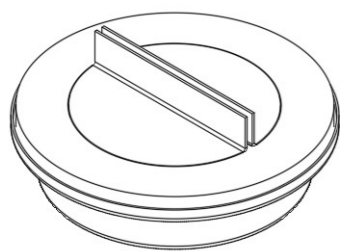
**VERDE MILITAR, MADERA NATURAL** / Ref. DD10PVN1

**TERRACOTA, MADERA NATURAL** / Ref. DD10PTN1



9" | 23 cm

3,9" | 10 cm





dpt

011

**DPT011 CENTREPIECES**

Aprox. Weight: 5,5Lb (S) / 8,8Lb (L)

Materials: Wood / Aluminium / Concrete, Varnish

**CENTROS DPT011**

Peso Aprox.: 2,5kg (P) / 4,0kg (G)

Materiales: Madera / Aluminio / Hormigón, Barniz

**SMALL CENTREPIECE | CENTRO P**

**OFF-WHITE, NATURAL** / Ref. DD11MNB1

**BEIGE YOSEMITE, NATURAL** / Ref. DD11MNY1

**GREY, NATURAL | GRIS, NATURAL** / Ref. DD11MNC1

**LARGE CENTREPIECE | CENTRO G**

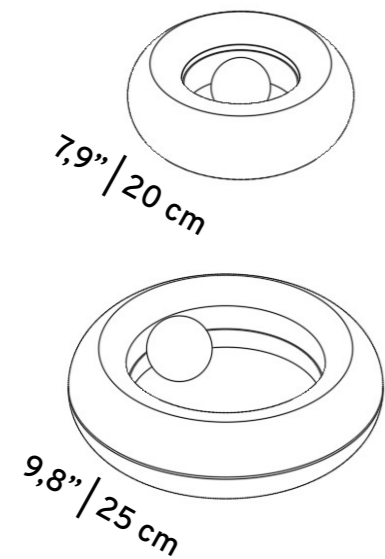
**OFF-WHITE, NATURAL** / Ref. DD11MNB2

**BEIGE YOSEMITE, NATURAL** / Ref. DD11MNY2

**GREY, NATURAL | GRIS, NATURAL** / Ref. DD11MNC2

The concrete may suffer changes to texture and tone, small imperfections are characteristic of the material and do not constitute damage to the product.

El hormigón puede sufrir cambios de textura y tono, las pequeñas imperfecciones son características del material y no constituyen daño al producto.



**DPT011**

**BOWL**

Aprox. Weight: 3,3Lb  
Materials: Wood / Aluminium / Concrete, Varnish

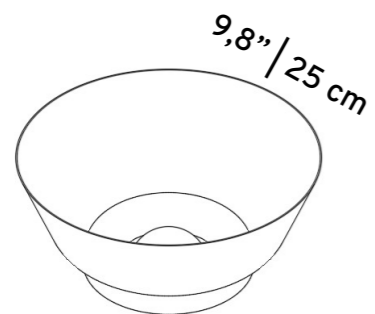
**TAZÓN**

Peso Aprox.: 1,5kg  
Materiales: Madera / Aluminio / Hormigón, Barniz

**OFF-WHITE, NATURAL** / Ref. DD11WN01  
**TERRACOTTA, NATURAL** / Ref. DD11WTB1

The concrete may suffer changes to texture and tone, small imperfections are characteristic of the material and do not constitute damage to the product.

El hormigón puede sufrir cambios de textura y tono, las pequeñas imperfecciones son características del material y no constituyen daño al producto.





dpt  
012

**DPT012**

**012 LAMP**

Aprox. Weight: 4,4Lb

**SHADE:** Raw Cotton

**STRUCTURE:** Steel, Automotive Painting

**CABLE:** 6,5ft

**SOCKET:** E27 (Lightbulb not included)

**LÁMPARA 012**

Peso Aprox.: 2,0kg

**CÚPULA:** Algodón Crudo

**ESTRUCTURA:** Acero, Pintura Automotriz

**CABLE:** 2m

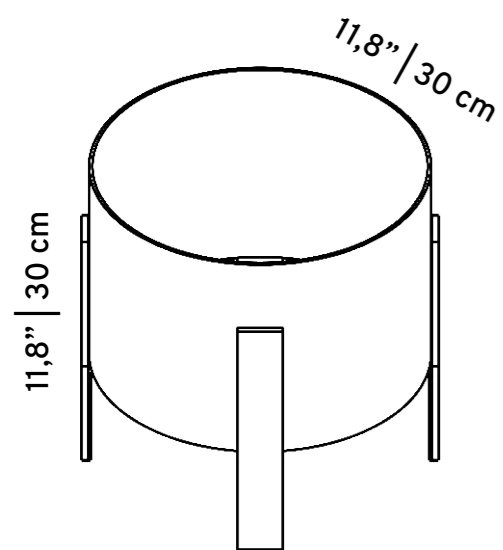
**ENCHIFE:** E27 (Bombilla no incluida)

**OFF-WHITE** / Ref. DD12LB01

**NUDE | DESNUDO** / Ref. DD12LG01

**BLACK | NEGRO** / Ref. DD12LNP01

**MILITARY GREEN | VERDE MILITAR** / Ref. DD12LV01





dpt

015







**DPT015 VASES**

Aprox. Weight: 2,2Lb (Short) / 2,6Lb (Medium) / 2,9Lb (Tall)  
Materials: Angelim Wood / Steel, Automotive Painting

**JARRÓNS DPT015**

Peso Aprox.: 1,0kg (Bajo) / 1,2kg (Mediano) / 1,3kg (Alto)  
Materiales: Madera Angelim / Acero, Pintura Automotriz

**SHORT T VASE | JARRÓN T BAJO**

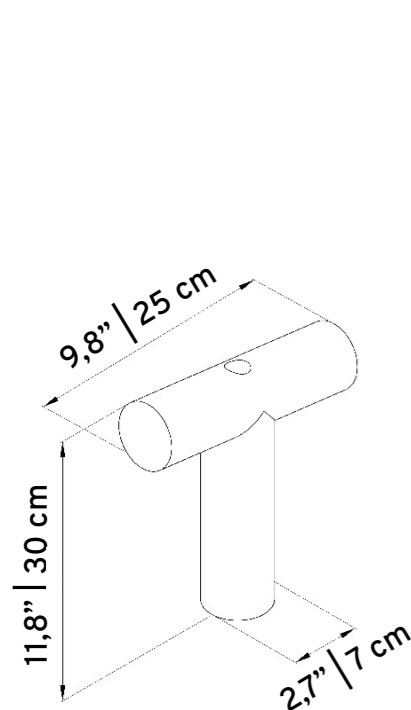
NATURAL WOOD | MADERA NATURAL / Ref. DD15VN01  
TERRACOTTA WOOD | MADERA TERRACOTA / Ref DD15VT01  
OFF-WHITE WOOD | MADERA OFF-WHITE / Ref. DD15VB01  
EBONIZED WOOD | MADERA EBONIZADA / Ref. DD15VP01

**MEDIUM T VASE | JARRÓN T MEDIANO**

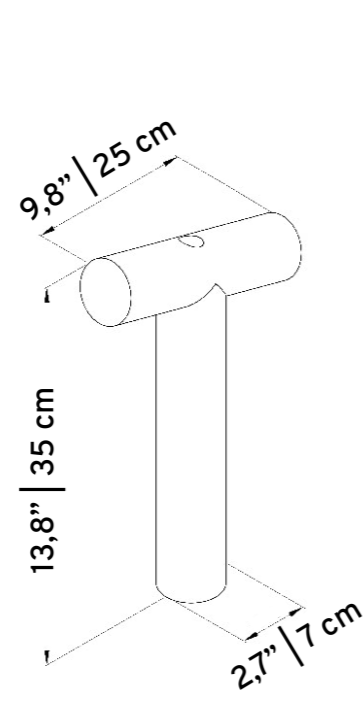
NATURAL WOOD | MADERA NATURAL / Ref. DD15VN02  
TERRACOTTA WOOD | MADERA TERRACOTA / Ref DD15VT02  
OFF-WHITE WOOD | MADERA OFF-WHITE / Ref. DD15VB02  
EBONIZED WOOD | MADERA EBONIZADA / Ref. DD15VP02

**TALL T VASE | JARRÓN T ALTO**

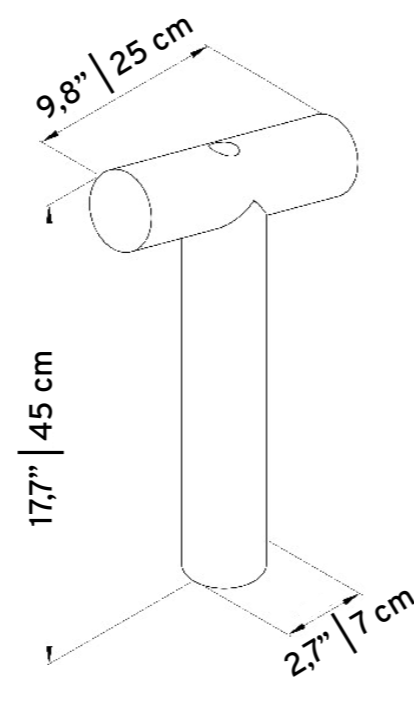
NATURAL WOOD | MADERA NATURAL / Ref. DD15VN03  
TERRACOTTA WOOD | MADERA TERRACOTA / Ref DD15VT03  
OFF-WHITE WOOD | MADERA OFF-WHITE / Ref. DD15VB03  
EBONIZED WOOD | MADERA EBONIZADA / Ref. DD15VP03



**SHORT | BAJO**



**MEDIUM | MEDIANO**



**TALL | ALTO**



dpt

016



**DPT016 PEONS**

Aprox. Weight: 0,7Lb (S) / 1,3Lb (L)  
Material: Wood

**PEÓNS DPT016**

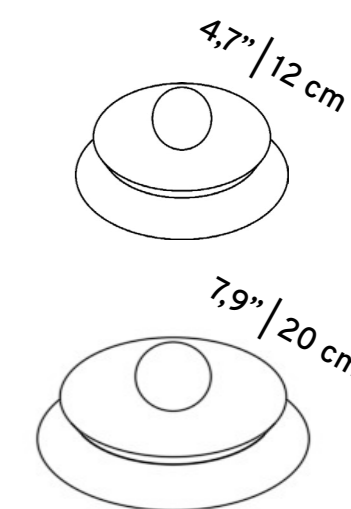
Peso Aprox.: 0,3kg (P) / 0,6kg (G)  
Material: Madera

**SMALL PEON | PEÓN P**

- NATURAL** / Ref. DD16EN01
- EBONIZED | EBONIZADO** / Ref. DD16EP01
- OFF-WHITE** / Ref. DD16EB01
- TERRACOTTA | TERRACOTA** / Ref. DD16ET01
- NUDE | DESNUDO** / Ref. DD16EG01
- MILITARY GREEN | VERDE MILITAR** / Ref. DD16EV01

**LARGE PEON | PEÓN G**

- NATURAL** / Ref. DD16EN02
- EBONIZED | EBONIZADO** / Ref. DD16EP02
- OFF-WHITE** / Ref. DD16EB02
- TERRACOTTA | TERRACOTA** / Ref. DD16ET02
- NUDE | DESNUDO** / Ref. DD16EG02
- MILITARY GREEN | VERDE MILITAR** / Ref. DD16EV02





**DPT016 WALL PEONS**

Aprox. Weight: 0,7Lb (S) / 1,3Lb (L)  
Material: Wood

**PEÓNS DE PAREDE DPT016**

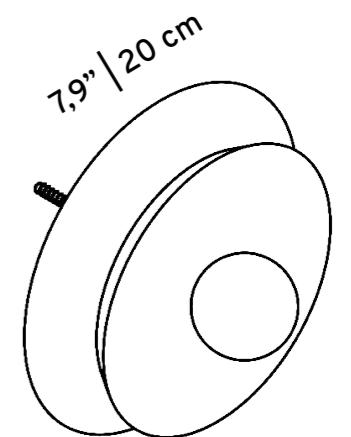
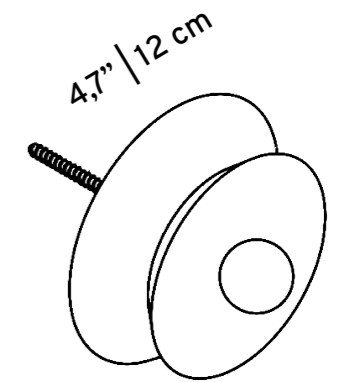
Peso Aprox.: 0,3kg (P) / 0,6kg (G)  
Material: Madera

**SMALL WALL PEON | PEÓN P PAREDE**

- NATURAL** / Ref. DD16EN03
- EBONIZED | EBONIZADO** / Ref. DD16EP03
- OFF-WHITE** / Ref. DD16EB03
- TERRACOTTA | TERRACOTA** / Ref. DD16ET03
- NUDE | DESNUDO** / Ref. DD16EG03
- MILITARY GREEN | VERDE MILITAR** / Ref. DD16EV03

**LARGE WALL PEONS | PEÓN G PAREDE**

- NATURAL** / Ref. DD16EN04
- EBONIZED | EBONIZADO** / Ref. DD16EP04
- OFF-WHITE** / Ref. DD16EB04
- TERRACOTTA | TERRACOTA** / Ref. DD16ET04
- NUDE | DESNUDO** / Ref. DD16EG04
- MILITARY GREEN | VERDE MILITAR** / Ref. DD16EV04





dpt  
018

**DPT018**

**SQUARE CENTREPIECE**

Aprox. Weight: 4,4Lb

Material: Wood

**CENTRO CUADRADO**

Peso Aprox.: 2,0kg

Material: Madera

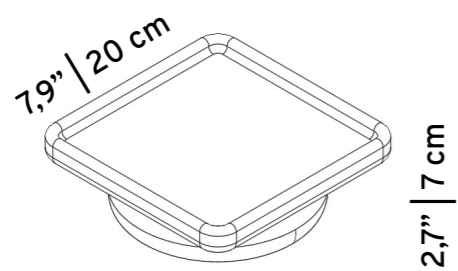
**NATURAL** / Ref. DD18MN01

**TERRACOTTA | TERRACOTA** / Ref. DD18MT01

**OFF-WHITE** / Ref. DD18MB01

**EBONIZED | EBONIZADO** / Ref. DD18MP01

**MILITARY GREEN | VERDE MILITAR** / Ref. DD18MV01



**DPT018**

**SMALL RECTANGULAR CENTREPIECE**

Aprox. Weight: 7,7Lb

Material: Wood

**CENTRO RECTANGULAR PEQUEÑO**

Peso Aprox.: 3,5kg

Material: Madera

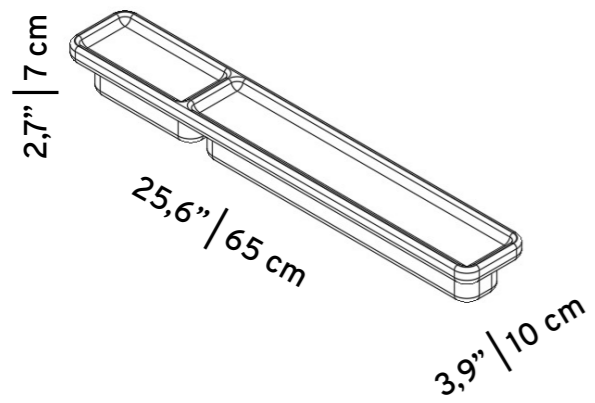
**NATURAL** / Ref. DD18MN02

**TERRACOTTA | TERRACOTA** / Ref. DD18MT02

**OFF-WHITE** / Ref. DD18MB02

**EBONIZED | EBONIZADO** / Ref. DD18MP02

**MILITARY GREEN | VERDE MILITAR** / Ref. DD18MV02





**DPT018**

**LARGE RECTANGULAR CENTREPIECE**

Aprox. Weight: 12,1Lb

Material: Wood

**CENTRO RECTANGULAR GRANDE**

Peso Aprox.: 5,5kg

Material: Madera

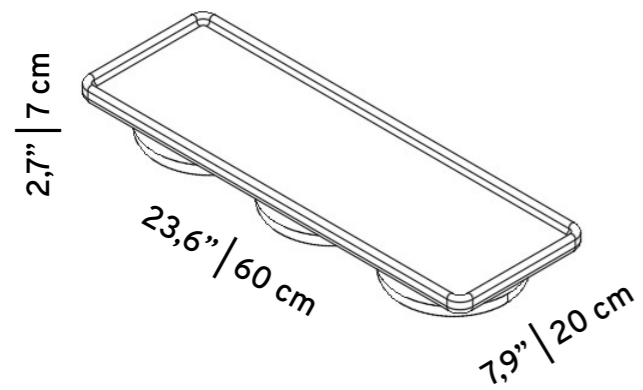
**NATURAL** / Ref. DD18MN03

**TERRACOTTA | TERRACOTA** / Ref. DD18MT03

**OFF-WHITE** / Ref. DD18MB03

**EBONIZED | EBONIZADO** / Ref. DD18MP03

**MILITARY GREEN | VERDE MILITAR** / Ref. DD18MV03





dpt

019

**DPT019**

Aprox. Weight: 7,7Lb (Centrepiece) / 2,6Lb (Bowl)  
Materials: Solid Wood / Synthetic Bristles

**DPT019**

Peso Aprox.: 3,5kg (Centro) / 1,2kg (Tazón)  
Materiales: Madera Maciza / Cerdas Sintéticas

**CENTREPIECE | CENTRO**

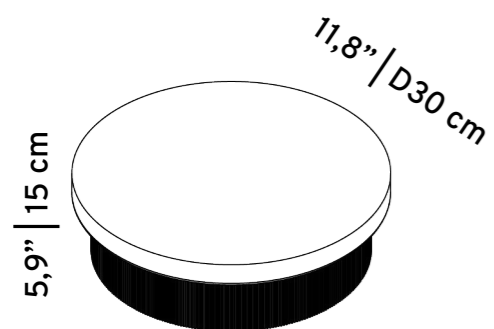
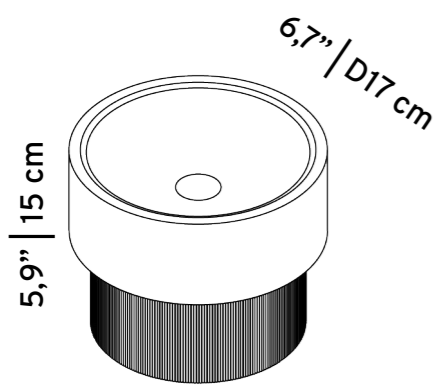
**NATURAL** / Ref. DD19MN01

**EBONIZED | EBONIZADO** / Ref. DD19MP01

**BOWL | TAZÓN**

**NATURAL** / Ref. DD19WN01

**EBONIZED | EBONIZADO** / Ref. DD19WP01





dpt  
020





### DPT020 CENTREPIECES

Aprox. Weight: 3,3Lb (S) / 7,7Lb (L, Rectangular)  
Materials: Angelim Wood / Steel, Automotive Painting

### CENTROS DPT020

Peso Aprox.: 1,5kg (P) / 3,5kg (G, Rectangular)  
Materiales: Madera Angelim / Acero, Pintura Automotriz

### SMALL CIRCULAR CENTREPIECE | CENTRO CIRCULAR P

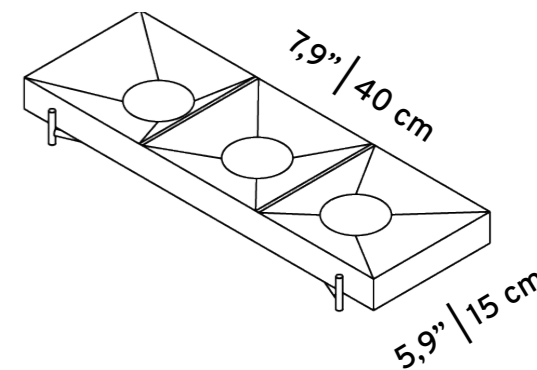
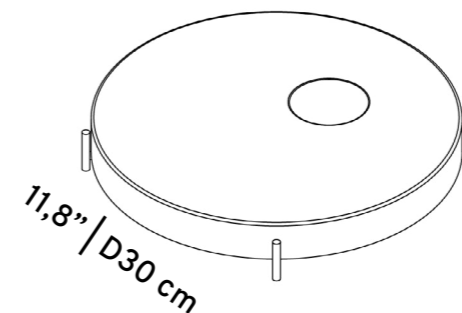
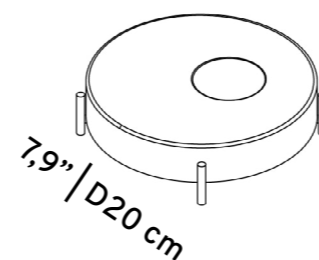
- NATURAL WOOD, YOSEMITE BEIGE BASE | MADERA NATURAL, BASE BEIGE YOSEMITE / Ref. DD20MNY1
- NATURAL WOOD, TERRACOTTA BASE | MADERA NATURAL, BASE TERRACOTA / Ref. DD20MNT1
- NATURAL WOOD, BLACK BASE | MADERA NATURAL, BASE NEGRA / Ref. DD20MNP1
- NATURAL WOOD, OFF-WHITE BASE | MADERA NATURAL, BASE OFF-WHITE / Ref. DD20MNB1
- NATURAL WOOD, NUDE BASE | MADERA NATURAL, BASE DESNUDO / Ref. DD20MNG1
- EBONIZED WOOD, BLACK BASE | MADERA EBONIZADA, BASE NEGRA / Ref. DD20MPP1
- OFF-WHITE WOOD, OFF-WHITE BASE | MADERA OFF-WHITE, BASE OFF-WHITE / Ref. DD20MBB1

### LARGE CIRCULAR CENTREPIECE | CENTRO CIRCULAR G

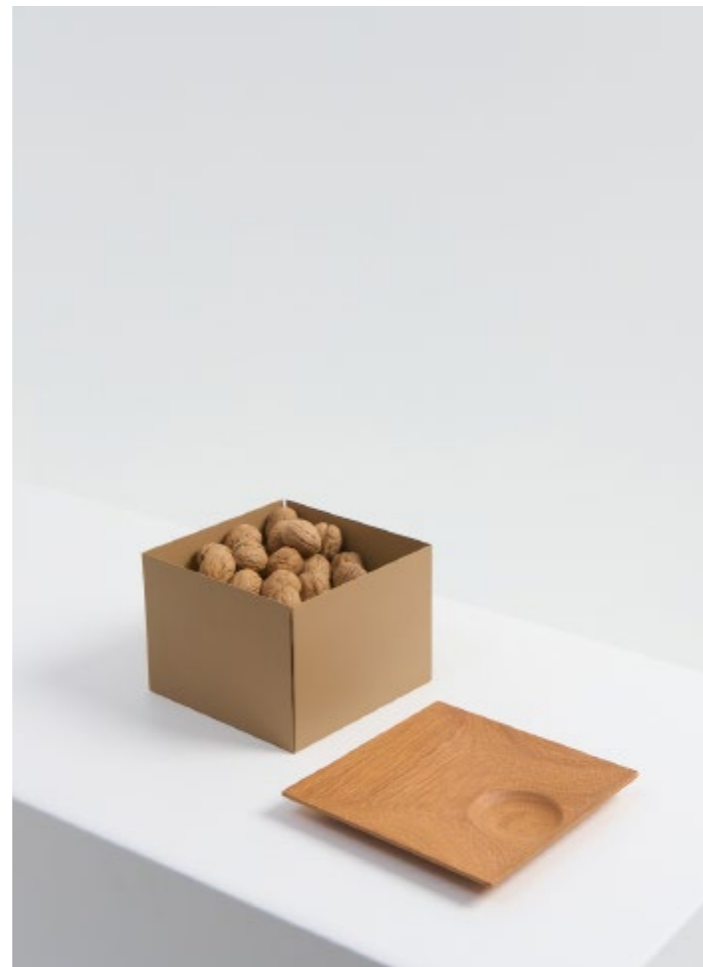
- NATURAL WOOD, YOSEMITE BEIGE BASE | MADERA NATURAL, BASE BEIGE YOSEMITE / Ref. DD20MNY2
- NATURAL WOOD, TERRACOTTA BASE | MADERA NATURAL, BASE TERRACOTA / Ref. DD20MNT2
- NATURAL WOOD, BLACK BASE | MADERA NATURAL, BASE NEGRA / Ref. DD20MNP2
- NATURAL WOOD, OFF-WHITE BASE | MADERA NATURAL, BASE OFF-WHITE / Ref. DD20MNB2
- NATURAL WOOD, NUDE BASE | MADERA NATURAL, BASE DESNUDO / Ref. DD20MNG2
- EBONIZED WOOD, BLACK BASE | MADERA EBONIZADA, BASE NEGRA / Ref. DD20MPP2
- OFF-WHITE WOOD, OFF-WHITE BASE | MADERA OFF-WHITE, BASE OFF-WHITE / Ref. DD20MBB2

### RECTANGULAR CENTREPIECE | CENTRO RECTANGULAR

- NATURAL WOOD, YOSEMITE BEIGE BASE | MADERA NATURAL, BASE BEIGE YOSEMITE / Ref. DD20MNY3
- NATURAL WOOD, TERRACOTTA BASE | MADERA NATURAL, BASE TERRACOTA / Ref. DD20MNT3
- NATURAL WOOD, BLACK BASE | MADERA NATURAL, BASE NEGRA / Ref. DD20MNP3
- NATURAL WOOD, OFF-WHITE BASE | MADERA NATURAL, BASE OFF-WHITE / Ref. DD20MNB3
- NATURAL WOOD, NUDE BASE | MADERA NATURAL, BASE DESNUDO / Ref. DD20MNG3
- EBONIZED WOOD, BLACK BASE | MADERA EBONIZADA, BASE NEGRA / Ref. DD20MPP3
- OFF-WHITE WOOD, OFF-WHITE BASE | MADERA OFF-WHITE, BASE OFF-WHITE / Ref. DD20MBB3







### DPT020 POTS

Aprox. Weight: 3,7Lb (Square, P) / 5,3Lb (G)  
Materials: Wood / Steel, Automotive Painting

### MACETAS DPT020

Peso Aprox.: 1,7kg (Cuadrado, P) / 2,4kg (G)  
Materiales: Madera / Acero, Pintura Automotriz

### SQUARED POT | MACETA CUADRADA

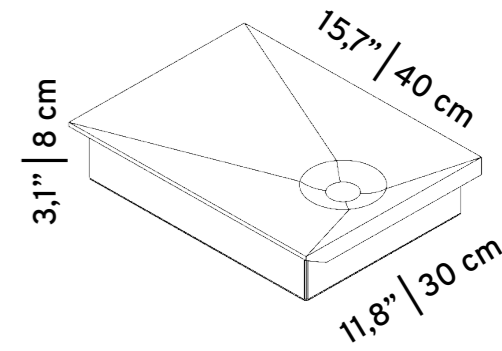
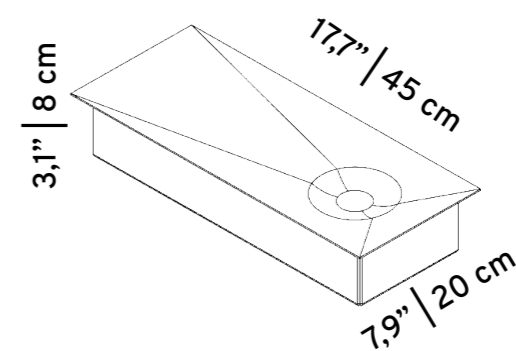
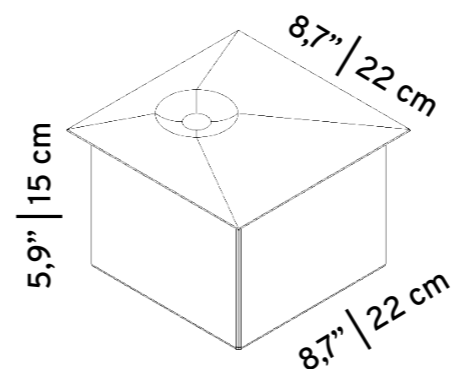
- NATURAL WOOD, YOSEMITE BEIGE BASE | MADERA NATURAL, BASE BEIGE YOSEMITE / Ref. DD20PNY1
- NATURAL WOOD, TERRACOTTA BASE | MADERA NATURAL, BASE TERRACOTA / Ref. DD20PNT1
- NATURAL WOOD, BLACK BASE | MADERA NATURAL, BASE NEGRA / Ref. DD20PNP1
- NATURAL WOOD, OFF-WHITE BASE | MADERA NATURAL, BASE OFF-WHITE / Ref. DD20PNB1
- NATURAL WOOD, ASPARAGUS GREEN BASE | MADERA NATURAL, BASE VERDE ESPÁRRAGOS / Ref. DD20PNA1
- NATURAL WOOD, ASH GREY BASE | MADERA NATURAL, BASE GRIS CENIZA / Ref. DD20PNC1
- NATURAL WOOD, HARBOUR BLUE BASE | MADERA NATURAL, BASE AZUL PUERTO / Ref. DD20PND1
- NATURAL WOOD, DAMASCUS BASE | MADERA NATURAL, BASE DAMASCO / Ref. DD20PNM1
- NATURAL WOOD, MILITARY GREEN BASE | MADERA NATURAL, BASE VERDE MILITAR / Ref. DD20PNV1
- NATURAL WOOD, NUDE BASE | MADERA NATURAL, BASE DESNUDO / Ref. DD20PNG1
- EBANIZADA WOOD, BLACK BASE | MADERA EBONIZADA, BASE NEGRA / Ref. DD20PPP1
- OFF-WHITE WOOD, OFF-WHITE BASE | MADERA OFF-WHITE, BASE OFF-WHITE / Ref. DD20PBB1

### SMALL RETANGULAR POT | POTE RECTANGULAR P

- NATURAL WOOD, YOSEMITE BEIGE BASE | MADERA NATURAL, BASE BEIGE YOSEMITE / Ref. DD20PNY2
- NATURAL WOOD, TERRACOTTA BASE | MADERA NATURAL, BASE TERRACOTA / Ref. DD20PNT2
- NATURAL WOOD, BLACK BASE | MADERA NATURAL, BASE NEGRA / Ref. DD20PNP2
- NATURAL WOOD, OFF-WHITE BASE | MADERA NATURAL, BASE OFF-WHITE / Ref. DD20PNB2
- NATURAL WOOD, ASPARAGUS GREEN BASE | MADERA NATURAL, BASE VERDE ESPÁRRAGOS / Ref. DD20PNA2
- NATURAL WOOD, ASH GREY BASE | MADERA NATURAL, BASE GRIS CENIZA / Ref. DD20PNC2
- NATURAL WOOD, HARBOUR BLUE BASE | MADERA NATURAL, BASE AZUL PUERTO / Ref. DD20PND2
- NATURAL WOOD, DAMASCUS BASE | MADERA NATURAL, BASE DAMASCO / Ref. DD20PNM2
- NATURAL WOOD, MILITARY GREEN BASE | MADERA NATURAL, BASE VERDE MILITAR / Ref. DD20PNV2
- NATURAL WOOD, NUDE BASE | MADERA NATURAL, BASE DESNUDO / Ref. DD20PNG2
- EBANIZADA WOOD, BLACK BASE | MADERA EBONIZADA, BASE NEGRA / Ref. DD20PPP2
- OFF-WHITE WOOD, OFF-WHITE BASE | MADERA OFF-WHITE, BASE OFF-WHITE / Ref. DD20PBB2

### LARGE RETANGULAR POT | POTE RECTANGULAR G

- NATURAL WOOD, YOSEMITE BEIGE BASE | MADERA NATURAL, BASE BEIGE YOSEMITE / Ref. DD20PNY3
- NATURAL WOOD, TERRACOTTA BASE | MADERA NATURAL, BASE TERRACOTA / Ref. DD20PNT3
- NATURAL WOOD, BLACK BASE | MADERA NATURAL, BASE NEGRA / Ref. DD20PNP3
- NATURAL WOOD, OFF-WHITE BASE | MADERA NATURAL, BASE OFF-WHITE / Ref. DD20PNB3
- NATURAL WOOD, ASPARAGUS GREEN BASE | MADERA NATURAL, BASE VERDE ESPÁRRAGOS / Ref. DD20PNA3
- NATURAL WOOD, ASH GREY BASE | MADERA NATURAL, BASE GRIS CENIZA / Ref. DD20PNC3
- NATURAL WOOD, HARBOUR BLUE BASE | MADERA NATURAL, BASE AZUL PUERTO / Ref. DD20PND3
- NATURAL WOOD, DAMASCUS BASE | MADERA NATURAL, BASE DAMASCO / Ref. DD20PNM3
- NATURAL WOOD, MILITARY GREEN BASE | MADERA NATURAL, BASE VERDE MILITAR / Ref. DD20PNV3
- NATURAL WOOD, NUDE BASE | MADERA NATURAL, BASE DESNUDO / Ref. DD20PNG3
- EBANIZADA WOOD, BLACK BASE | MADERA EBONIZADA, BASE NEGRA / Ref. DD20PPP3
- OFF-WHITE WOOD, OFF-WHITE BASE | MADERA OFF-WHITE, BASE OFF-WHITE / Ref. DD20PBB3





dpt  
021



**DPT021**

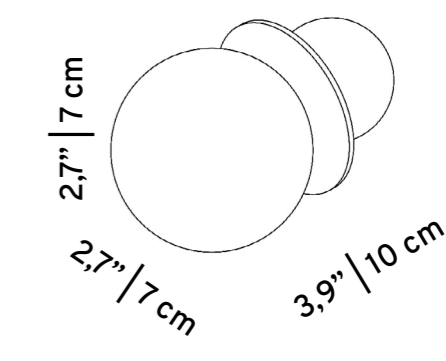
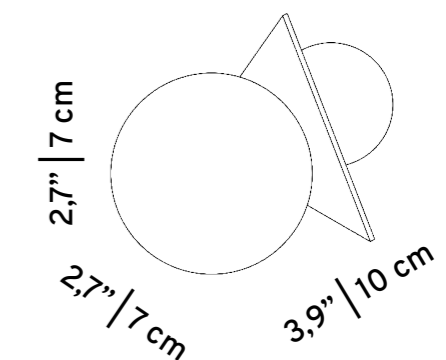
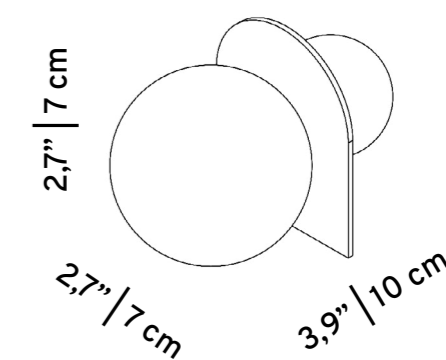
**SCULTURE TRIO / PAPERWEIGHT**

Aprox. Weight: 1,3Lb (Trio)  
Materials: Solid Wood / Steel

**TRÍO ESCULTURAS / PESO DEL PAPEL**

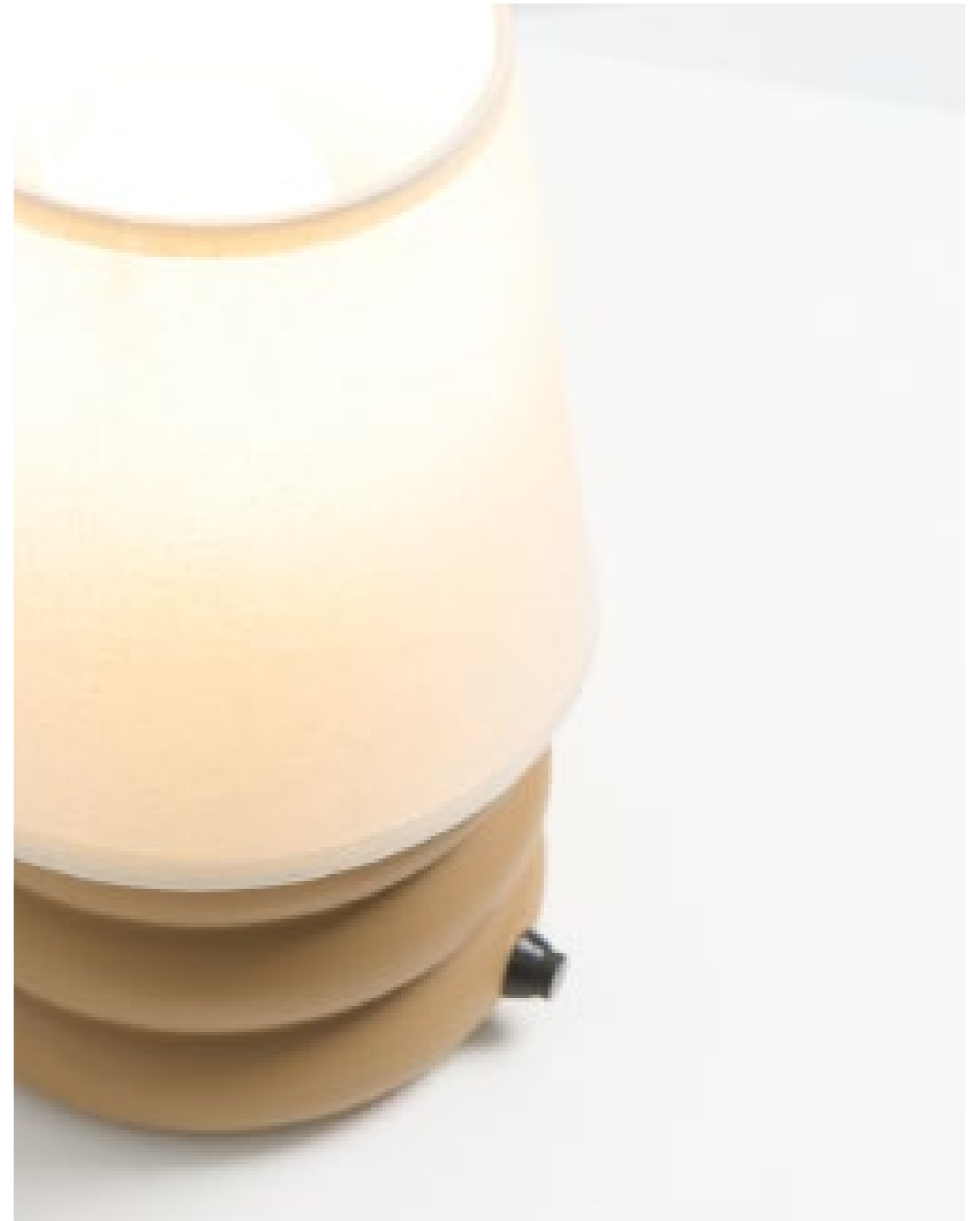
Peso Aprox.: 0,6kg (Trio)  
Materiales: Madera Maciza / Acero

Ref. DD21EN01





dpt  
022





**DPT022**

**LAMP**

Aprox. Weight: 1,3Lb

**SHADE:** Raw Cotton

**STRUCTURE:** PLA

**CABLE:** 6,5ft

**SOCKET:** E27 (Lightbulb not included)

**LÁMPARA**

Peso Aprox.: 0,6kg

**CÚPULA:** Algodón Crudo

**ESTRUCTURA:** PLA

**CABLE:** 2m

**ENCHIFE:** E27 (Bombilla no incluida)

**YOSEMITE BEIGE | BEIGE YOSEMITE** / Ref. DD22LY00

**OFF-WHITE** / Ref. DD22LB00

**ASH GREY | GRIS CENIZA** / Ref. DD22LC00

**DAMASCUS | DAMASCO** / Ref. DD22LM00

**HARBOUR BLUE | AZUL PUERTO** / Ref. DD22LD00

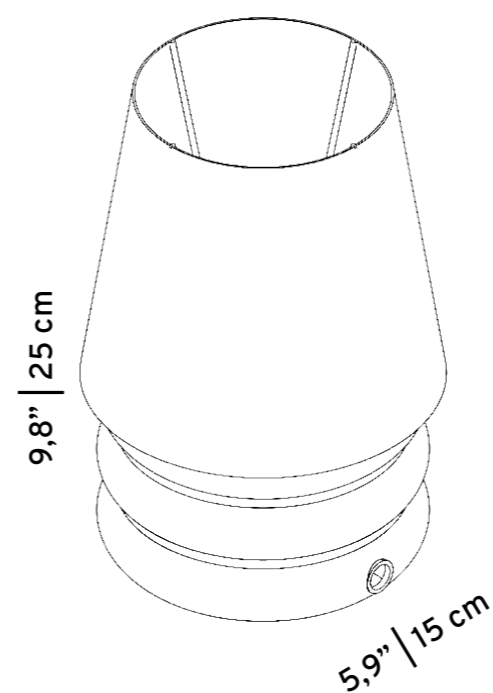
**MILITARY GREEN | VERDE MILITAR** / Ref. DD22LV00

**ASPARAGUS GREEN | VERDE ESPÁRRGOS** / Ref. DD22LA00

**NUDE | DESNUDO** / Ref. DD22LG00

**TERRACOTTA | TERRACOTA** / Ref. DD22LT00

**BLACK | NEGRO** / Ref. DD22LP00





dpt  
023





### DPT023 VASES

Aprox. Weight: 1,3Lb (PP, P) / 1,7Lb (M) / 2Lb (G) / 2,2Lb (GG)  
Materials: Wood / Steel, Automotive Painting

### JARRÓNS DPT023

Peso Aprox.: 0,6kg (PP, P) / 0,8kg (M) / 0,9kg (G) / 1,0kg (GG)  
Materiales: Madera / Acero, Pintura Automotriz

### EXTRA SHORT VASE | JARRÓN PP

NATURAL, YOSEMITE BEIGE ACC. | NATURAL, ACC. BEIGE YOSEMITE / Ref. DD23VNY1  
NATURAL, NUDE ACC. | NATURAL, ACC. DESNUDO / Ref. DD23VNG1  
NATURAL, TERRACOTTA ACC. | NATURAL, ACC. TERRACOTA / Ref. DD23VNT1  
NATURAL, OFF-WHITE ACC. | NATURAL, ACC. OFF-WHITE / Ref. DD23VNB1  
NATURAL, BLACK ACC. | NATURAL, ACC. NEGRO / Ref. DD23VNP1  
EBONIZED, BLACK ACC. | EBONIZADA, ACC. NEGRO / Ref. DD23VPP1  
OFF-WHITE, OFF-WHITE ACC. | OFF-WHITE, ACC. OFF-WHITE / Ref. DD23VBB1

### SHORT VASE | JARRÓN P

NATURAL, YOSEMITE BEIGE ACC. | NATURAL, ACC. BEIGE YOSEMITE / Ref. DD23VNY2  
NATURAL, NUDE ACC. | NATURAL, ACC. DESNUDO / Ref. DD23VNG2  
NATURAL, TERRACOTTA ACC. | NATURAL, ACC. TERRACOTA / Ref. DD23VNT2  
NATURAL, OFF-WHITE ACC. | NATURAL, ACC. OFF-WHITE / Ref. DD23VNB2  
NATURAL, BLACK ACC. | NATURAL, ACC. NEGRO / Ref. DD23VNP2  
EBONIZED, BLACK ACC. | EBONIZADA, ACC. NEGRO / Ref. DD23VPP2  
OFF-WHITE, OFF-WHITE ACC. | OFF-WHITE, ACC. OFF-WHITE / Ref. DD23VBB2

### MEDIUM VASE | JARRÓN M

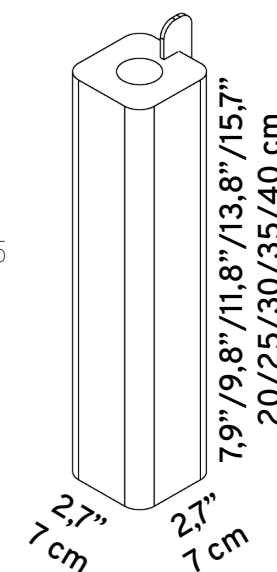
NATURAL, YOSEMITE BEIGE ACC. | NATURAL, ACC. BEIGE YOSEMITE / Ref. DD23VNY3  
NATURAL, NUDE ACC. | NATURAL, ACC. DESNUDO / Ref. DD23VNG3  
NATURAL, TERRACOTTA ACC. | NATURAL, ACC. TERRACOTA / Ref. DD23VNT3  
NATURAL, OFF-WHITE ACC. | NATURAL, ACC. OFF-WHITE / Ref. DD23VNB3  
NATURAL, BLACK ACC. | NATURAL, ACC. NEGRO / Ref. DD23VNP3  
EBONIZED, BLACK ACC. | EBONIZADA, ACC. NEGRO / Ref. DD23VPP3  
OFF-WHITE, OFF-WHITE ACC. | OFF-WHITE, ACC. OFF-WHITE / Ref. DD23VBB3

### TALL VASE | JARRÓN G

NATURAL, YOSEMITE BEIGE ACC. | NATURAL, ACC. BEIGE YOSEMITE / Ref. DD23VNY4  
NATURAL, NUDE ACC. | NATURAL, ACC. DESNUDO / Ref. DD23VNG4  
NATURAL, TERRACOTTA ACC. | NATURAL, ACC. TERRACOTA / Ref. DD23VNT4  
NATURAL, OFF-WHITE ACC. | NATURAL, ACC. OFF-WHITE / Ref. DD23VNB4  
NATURAL, BLACK ACC. | NATURAL, ACC. NEGRO / Ref. DD23VNP4  
EBONIZED, BLACK ACC. | EBONIZADA, ACC. NEGRO / Ref. DD23VPP4  
OFF-WHITE, OFF-WHITE ACC. | OFF-WHITE, ACC. OFF-WHITE / Ref. DD23VBB4

### EXTRA TALL VASE | JARRÓN GG

NATURAL, YOSEMITE BEIGE ACC. | NATURAL, ACC. BEIGE YOSEMITE / Ref. DD23VNY5  
NATURAL, NUDE ACC. | NATURAL, ACC. DESNUDO / Ref. DD23VNG5  
NATURAL, TERRACOTTA ACC. | NATURAL, ACC. TERRACOTA / Ref. DD23VNT5  
NATURAL, OFF-WHITE ACC. | NATURAL, ACC. OFF-WHITE / Ref. DD23VNB5  
NATURAL, BLACK ACC. | NATURAL, ACC. NEGRO / Ref. DD23VNP5  
EBONIZED, BLACK ACC. | EBONIZADA, ACC. NEGRO / Ref. DD23VPP5  
OFF-WHITE, OFF-WHITE ACC. | OFF-WHITE, ACC. OFF-WHITE / Ref. DD23VBB5







dpt  
025





**DPT025 CENTREPIECES**

Aprox. Weight: 2,4Lb (S) / 4,2Lb (L)  
Material: Solid Wood

**CENTROS DPT025**

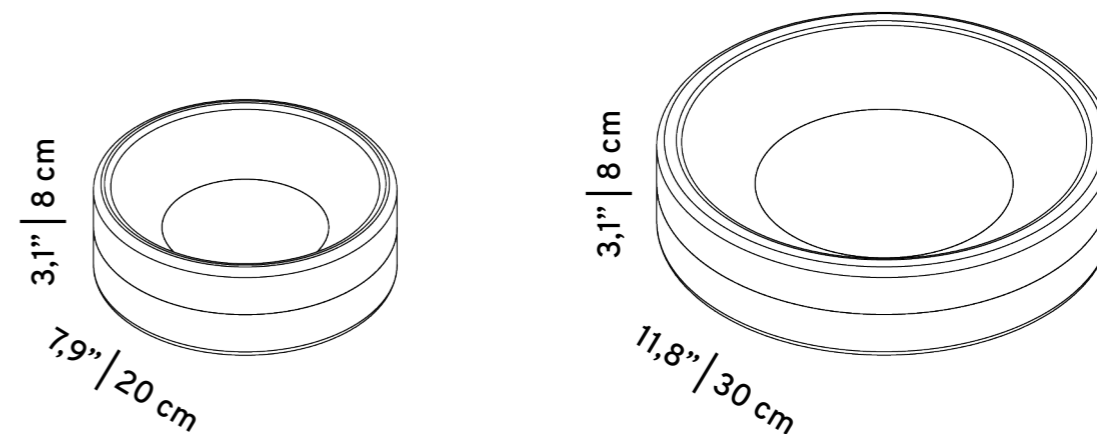
Peso Aprox.: 1,1kg (P) / 1,9kg (G)  
Material: Madera Maciza

**SMALL CIRCULAR CENTREPIECE | CENTRO CIRCULAR P**

- NATURAL, YOSEMITE BEIGE ACCESSORY | NATURAL, ACCESORIO BEIGE YOSEMITE / Ref. DD25MNY1
- NATURAL, NUDE ACCESSORY | NATURAL, ACCESORIO DESNUDO / Ref. DD25MNG1
- NATURAL, TERRACOTTA ACCESSORY | NATURAL, ACCESORIO TERRACOTA / Ref. DD25MNT1
- NATURAL, OFF-WHITE ACCESSORY | NATURAL, ACCESORIO OFF-WHITE / Ref. DD25MNB1
- NATURAL, BLACK ACCESSORY | NATURAL, ACCESORIO NEGRO / Ref. DD25MNP1
- NATURAL, MILITARY GREEN ACCESSORY | NATURAL, ACCESORIO VERDE MILITAR / Ref. DD25MNV1
- NATURAL, ACC. ASPARAGUS GREEN | NATURAL, ACC. VERDE ESPÁRRAGOS / Ref. DD25MNA1
- NATURAL, HARBOUR BLUE ACCESSORY | NATURAL, ACCESORIO AZUL PUERTO / Ref. DD25MND1
- NATURAL, ASH GREY ACCESSORY | NATURAL, ACCESORIO GRIS CENIZA / Ref. DD25MNC1
- EBONIZED, BLACK ACCESSORY | EBONIZADA, ACCESORIO NEGRO / Ref. DD25MPP1
- OFF-WHITE, OFF-WHITE ACCESSORY | OFF-WHITE, ACCESORIO OFF-WHITE / Ref. DD25MBB1

**LARGE CIRCULAR CENTREPIECE | CENTRO CIRCULAR G**

- NATURAL, YOSEMITE BEIGE ACCESSORY | NATURAL, ACCESORIO BEIGE YOSEMITE / Ref. DD25MNY2
- NATURAL, NUDE ACCESSORY | NATURAL, ACCESORIO DESNUDO / Ref. DD25MNG2
- NATURAL, TERRACOTTA ACCESSORY | NATURAL, ACCESORIO TERRACOTA / Ref. DD25MNT2
- NATURAL, OFF-WHITE ACCESSORY | NATURAL, ACCESORIO OFF-WHITE / Ref. DD25MNB2
- NATURAL, BLACK ACCESSORY | NATURAL, ACCESORIO NEGRO / Ref. DD25MNP2
- NATURAL, MILITARY GREEN ACCESSORY | NATURAL, ACCESORIO VERDE MILITAR / Ref. DD25MNV2
- NATURAL, ACC. ASPARAGUS GREEN | NATURAL, ACC. VERDE ESPÁRRAGOS / Ref. DD25MNA2
- NATURAL, HARBOUR BLUE ACCESSORY | NATURAL, ACCESORIO AZUL PUERTO / Ref. DD25MND2
- NATURAL, ASH GREY ACCESSORY | NATURAL, ACCESORIO GRIS CENIZA / Ref. DD25MNC2
- EBONIZED, BLACK ACCESSORY | EBONIZADA, ACCESORIO NEGRO / Ref. DD25MPP2
- OFF-WHITE, OFF-WHITE ACCESSORY | OFF-WHITE, ACCESORIO OFF-WHITE / Ref. DD25MBB2





### DPT025 CENTREPIECES

Aprox. Weight: 1,1Lb (S) / 1,3Lb (L)  
Material: Solid Wood

### CENTROS DPT025

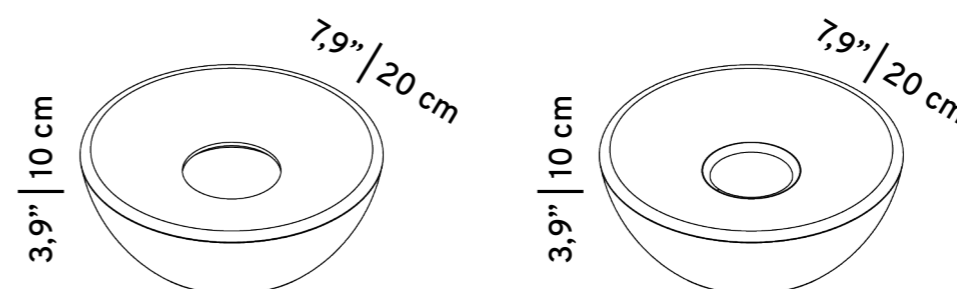
Peso Aprox.: 0,5kg (P) / 0,6kg (G)  
Material: Madera Maciza

### N1 POT | MACETA N1

- NATURAL, YOSEMITE BEIGE ACCESSORY | NATURAL, ACCESORIO BEGE YOSEMITE / Ref. DD25PNY1
- NATURAL, NUDE ACCESSORY | NATURAL, ACCESORIO NUDE / Ref. DD25PNG1
- NATURAL, TERRACOTTA ACCESSORY | NATURAL, ACCESORIO TERRACOTA / Ref. DD25PNT1
- NATURAL, OFF-WHITE ACCESSORY | NATURAL, ACCESORIO OFF-WHITE / Ref. DD25PNB1
- NATURAL, BLACK ACCESSORY | NATURAL, ACCESORIO NEGRO / Ref. DD25PNP1
- NATURAL, MILITARY GREEN ACCESSORY | NATURAL, ACCESORIO VERDE MILITAR / Ref. DD25PNV1
- NATURAL, ASPARAGUS GREEN ACC. | NATURAL, ACC. VERDE ESPÁRRAGOS / Ref. DD25PNA1
- NATURAL, HARBOUR BLUE ACCESSORY | NATURAL, ACCESORIO AZUL PUERTO / Ref. DD25PND1
- NATURAL, ASH GREY ACCESSORY | NATURAL, ACCESORIO GRIS CENIZA / Ref. DD25PNC1
- EBONIZED, BLACK ACCESSORY | EBONIZADO, ACCESORIO NEGRO / Ref. DD25PPP1
- OFF-WHITE, OFF-WHITE ACCESSORY | OFF-WHITE, ACCESORIO OFF-WHITE / Ref. DD25PBB1

### N2 POT (WITH CENTRAL BOWL) | MACETA N2 (COM TAZÓN CENTRAL)

- NATURAL, YOSEMITE BEIGE ACCESSORY | NATURAL, ACCESORIO BEGE YOSEMITE / Ref. DD25PNY2
- NATURAL, NUDE ACCESSORY | NATURAL, ACCESORIO NUDE / Ref. DD25PNG2
- NATURAL, TERRACOTTA ACCESSORY | NATURAL, ACCESORIO TERRACOTA / Ref. DD25PNT2
- NATURAL, OFF-WHITE ACCESSORY | NATURAL, ACCESORIO OFF-WHITE / Ref. DD25PNB2
- NATURAL, BLACK ACCESSORY | NATURAL, ACCESORIO NEGRO / Ref. DD25PNP2
- NATURAL, MILITARY GREEN ACCESSORY | NATURAL, ACCESORIO VERDE MILITAR / Ref. DD25PNV2
- NATURAL, ASPARAGUS GREEN ACC. | NATURAL, ACC. VERDE ESPÁRRAGOS / Ref. DD25PNA2
- NATURAL, HARBOUR BLUE ACCESSORY | NATURAL, ACCESORIO AZUL PUERTO / Ref. DD25PND2
- NATURAL, ASH GREY ACCESSORY | NATURAL, ACCESORIO GRIS CENIZA / Ref. DD25PNC2
- EBONIZED, BLACK ACCESSORY | EBONIZADO, ACCESORIO NEGRO / Ref. DD25PPP2
- OFF-WHITE, OFF-WHITE ACCESSORY | OFF-WHITE, ACCESORIO OFF-WHITE / Ref. DD25PBB2



**dpt**<sup>®</sup>

@\_dptdesign\_

31 2535-5802 / 9 9459 5801 / ola@dpt.design